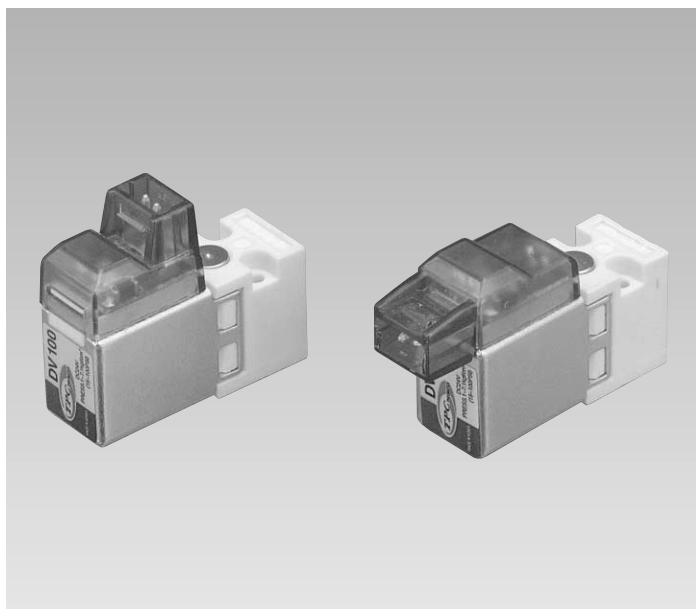


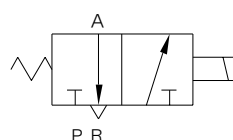
Series DV100

3Port Pilot Solenoid Valve



- Low Power Consumption / 1.0WDC
- Compact Space-Saving Design
- Large Flow Capacity 0.18mm²(Cv0.01)
- Non-Polar Type Coil

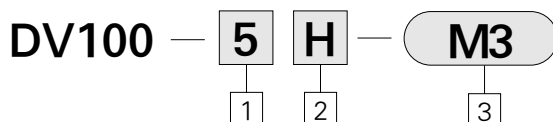
Symbols



2position / single solenoid

DV1000 · 3000 · 4000
DV2000
DS2000
DS3000
DS5000
DS6000
DX2
DV100
DS300
DW
DP300 · 3000 · 5000
DM
DH

How to order



1 Voltage

- 1 : AC110V
- 5 : DC24V
- 6 : DC12V

2 LEAD Electrical Entry

- H : Horizontal
- V : Vertical

3 Option

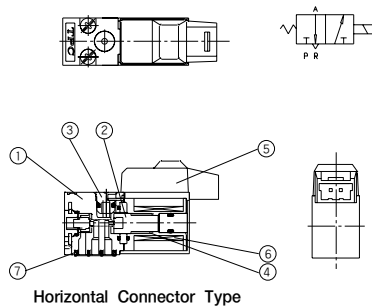
- Blank : Without Subplate
- M5 : With Subplate(M5)
- 10 : With Subplate(10-32UNF)

Model

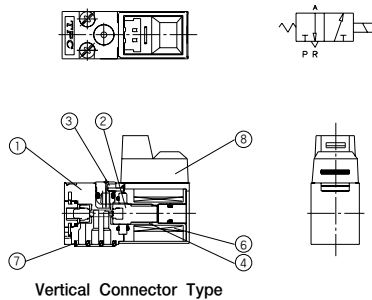
Model	Actuation	Port size	Effective Orifice mm ² (Cv Factor)
DV100-5(H,V)-**	Normally Closed (NC)	M5X0.8	0.18(0.01)

Series DV100

Construction



Horizontal Connector Type



Vertical Connector Type

Specifications

Fluid	Air	
Operating Pressure Range	0~7kgf/cm ² {0~0.7MPa}	
Acting	N.C	
Ambient and Fluid Temperature(°C)	5~50	
Voltage Allowance (%)	-10~+10 of Rated Voltage	
Maximum Operation Frequency(C/S)	10	
Minimum Operation Frequency	30days per one session	
Lubrication	Not Required(ISO VG32)	
Impact / Vibration Resistance (m/s ²)	30G / 5G	
Mounting Position	Free	
Manual Override	Non Locking Push Type	
LEAD Electrical Entry	Horizontal(H), Vertical(V)	
Indicator light and Surge Voltage Suppressor	LED/Surge Voltage Suppressor Standard	
Voltage (V)	AC110, DC12, 24V	
Effective Area mm ² (Cv)	0.18(0.01)	
Power Consumption (W)	DC (W)	1.0 (with LAMP)
	AC (VA)	110V : 1.4
Response Time/ms	10ms or less (At 5kgf/cm ² , on Time)	

* Made to order

Parts List

No.	Description	Material	Notes
①	Body	PBT	
②	Armature	-	
③	Bobbin	-	

④	Lamp case	Resin	
⑤	Coil	-	
⑥	Gasket	NBR	
⑦	Lampcase -V	Resin	

Dimensions

