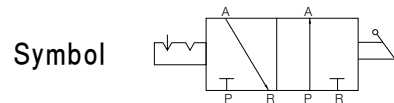


Series SH 2000 · 3000 · 4000 · 5000

3 Way Lock Out Valve



- When in the exhaust position, the valve may be padlock secured. Prevents accidental start-ups while personnel are cleaning or servicing equipment.
- Combination with a modular style FRL is possible.
- Easy to operate
- The direction of air flow can be verified at a glance by the orientation of the handle.
- The valve is compact yet provides a large flow capacity.



How to Order

SH 2000 - 01

1 Pressure Relief 3port Valve (Shut-off Valve)

Blank : Rc(PT)
U : NPT

2 Body Size

2000	1/4
3000	3/8
4000	1/2
5000	1

3 Port size

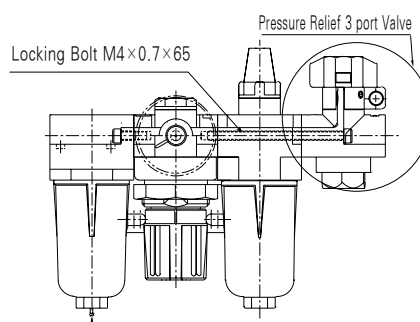
	2000	3000	4000	5000
01 : 1/8				
02 : 1/4				
03 : 3/8				
04 : 1/2				
06 : 3/4				
10 : 1				

Connector

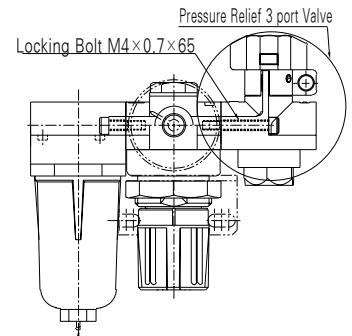
Bracket Format	Applied Type	Application F.R.L
Y20	SH2000	*PC2000~PC2020
Y30	SH3000	PC3000~PC3020
Y40	SH4000	AC4000~AC4020
-	SH5000	*PC5000~PC5020

※ Interface part is required if attached to a modular FRL.
(Refer to the table below for the interface part number.)

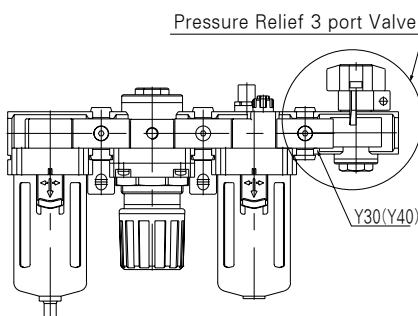
〈PC2000〉



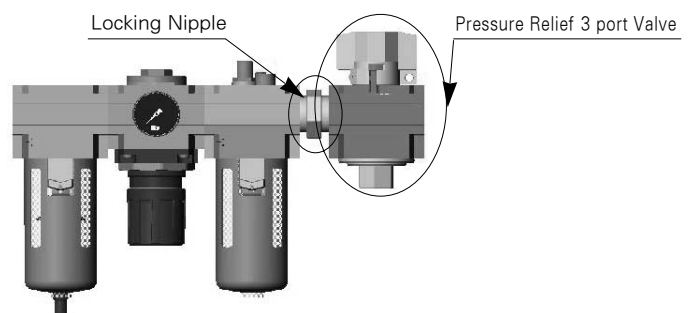
〈PC2020〉



〈PC3000~PC3020(PC4000~PC4020)〉



〈PC5000〉



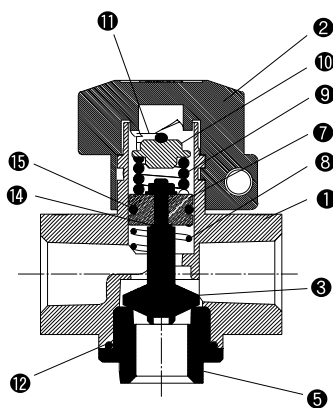
Specifications

Fluid	Air							
Operating Pressure Range	0.1~1.0MPa(1~10.2kgf/cm ²)							
Ambient and Fluid Temperature	5~60℃							
Handle Switching Angle	90°							
IN · OUT Port Body Size Rc(PT)	SH2000		SH3000		SH4000		SH5000	
	1/8	1/4	1/4	3/8	3/8	1/2	3/4	1
Body Size Rc(PT)	1/8		1/4		3/8		3/4	
Effective Area(mm ²)(Cv)	10(0.59)	14(0.82)	20(1.17)	31(1.82)	38(2.23)	57(3.35)	120(7.1)	140(8.24)
Weight(g)	210		260		380		1,000	

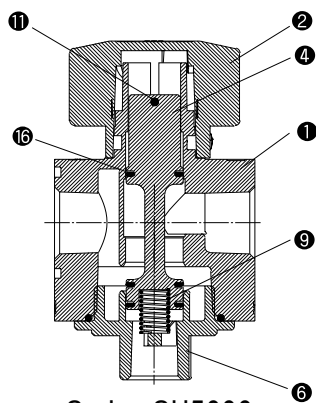
Model

Series	Port Size	Padlock Mounting Position
SH2000	Rc(PT) 1/8, 1/4	Rc(PT) 1/8
SH3000	Rc(PT) 1/4, 3/8	Rc(PT) 1/4
SH4000	Rc(PT) 3/8, 1/2	Rc(PT) 3/8
SH5000	Rc(PT) 3/4, 1	Rc(PT) 1/2

Construction



Series SH2000 · 3000 · 4000



Series SH5000

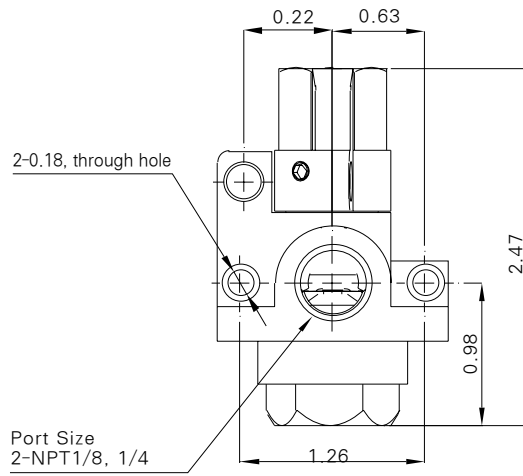
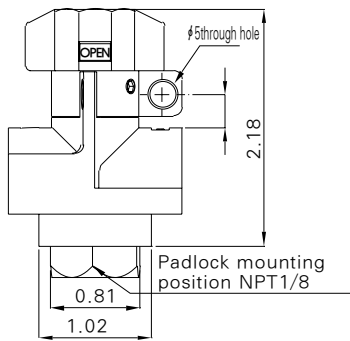
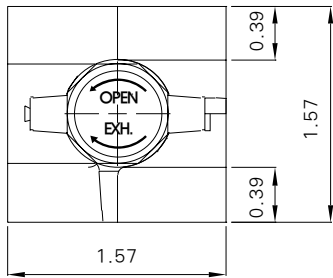
Component Parts

NO	Description	Material	Note
①	BODY	ABC	SH2000
②	HANDLE	Zinc alloy	Chromated
③	POPPET VALVE	-	
④	SPOOL	ADC12	Chromated
⑤	POPPET VALVE GUIDE	Zinc alloy	Chromated
⑥	SPOOL GUIDE	Zinc alloy	Chromated
⑦	PISTON	C3604	
⑧	POPPET VALVE SPRING	SWP	Chromated
⑨	SPRING	SWP	Chromated
⑩	SPRING HOLDER	SUM	
⑪	Parallel PIN	SUM	
⑫	POPPET VALVE GUIDE GASKET	NBR	
⑬	SPOOL GUIDE GASKET	NBR	
⑭	POPPET VALVE GASKET	NBR	
⑮	PISTON PACKING	NBR	
⑯	SPOOL PACKING	NBR	

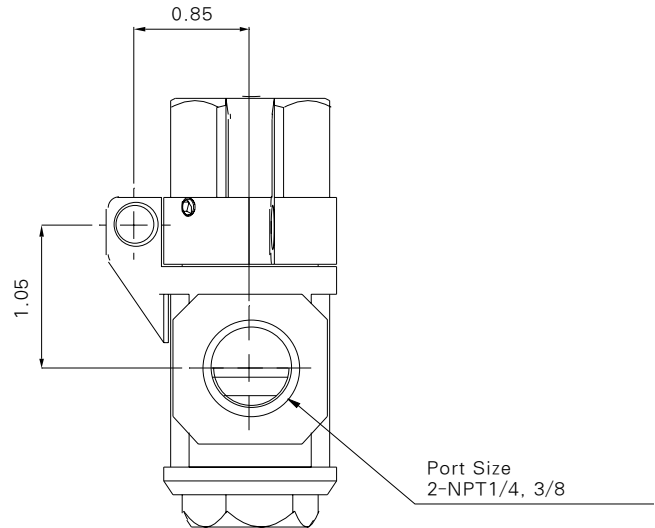
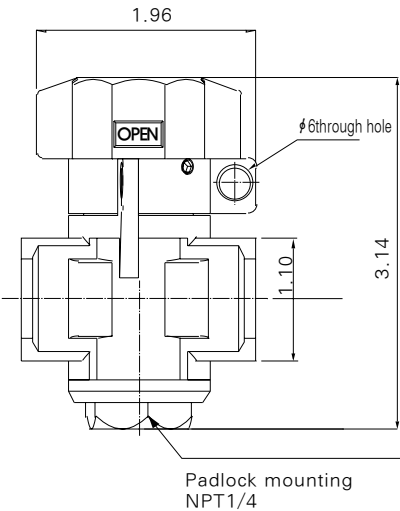
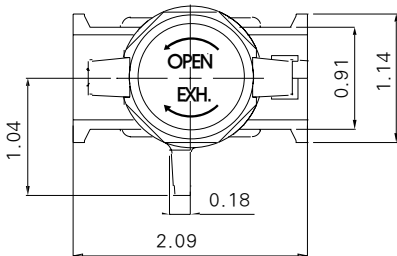
Series SH

Dimensions

Series SH2000

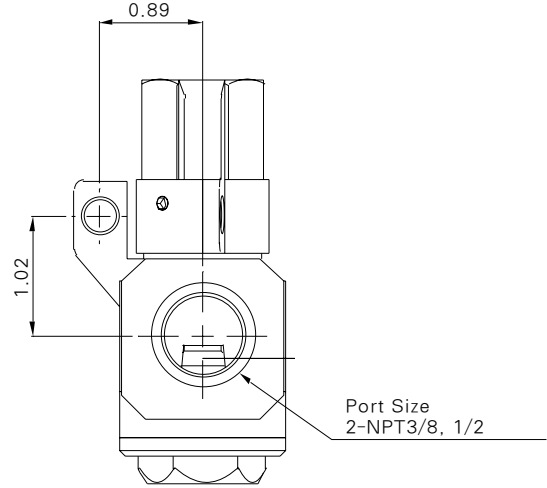
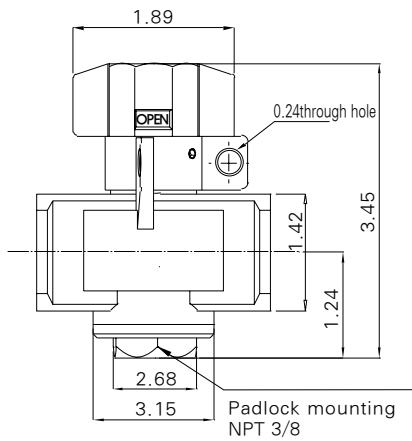
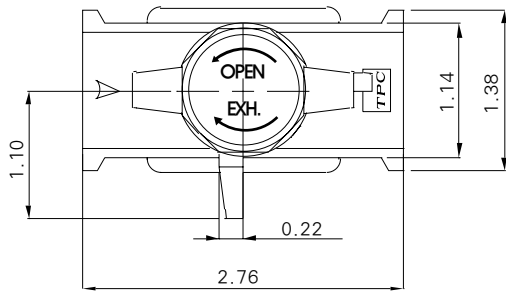


Series SH3000

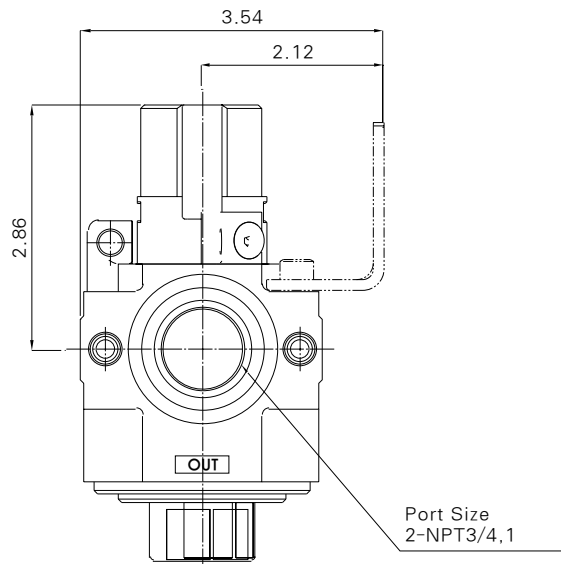
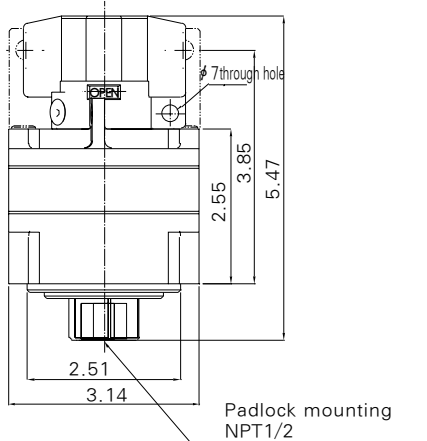
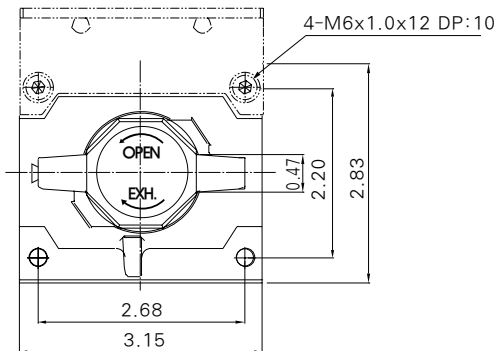


Dimensions

Series SH4000



Series SH5000



- PC
- PF
- PFH
PFU
- PR
- PL
- PW
- SH