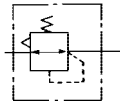


Series **PR** 2000 • 3000 • 4000 • 5000

Regulator



Symbol




Specifications

Model	PR2000	PR3000	PR4000	PR5000
Port size (NPT)	1/8", 1/4"	1/4", 3/8"	3/8", 1/2"	3/4", 1"
Max. Supply Pressure	213PSI {1.5MPa}			
Max. Operating Pressure	150PSI {990KPa}			
Regulating Range	7~125 PSI (50~850kpa)			
Port size for Pressure Gauge (NPT)	1/8"			
Ambient and Media Temperature	40~140° F (5~60°c)			
Construction	Relieving type			
Weight Lbs.(kgf)	0.46(0.21)	0.90(0.14)	1.85(0.84)	2.5(1.14)

Accessories(Optional)

Name	Part No.			
	PR2000	PR3000	PR4000	PR5000
Bracket	PC2000-43-6035	TAR3000-43-6005	TAC4000-09-6003	TAC4000-09-6003
Pressure Gauge	150 PSI	TAR4000-16A-6001		

How to Order

UPR **30** 00 — **03** **BG** — 

1 Regulator

2 Body Size (NPT)

20 : 1/4"
30 : 3/8"
40 : 1/2"
50 : 1"

3 Port Size (NPT)

01 : 1/8"
02 : 1/4"
03 : 3/8"
04 : 1/2"
06 : 3/4"
10 : 1"

4 Accessory

B : Bracket
G : Pressure gauge

5 Special Option

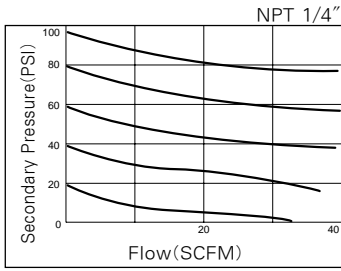
Blank : Standard type
XC16 : Copper-free

Series PR

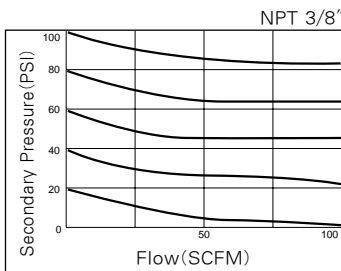
Flow Characteristics

※ Operating pressure: 100 PSI(7 kgf/cm²)

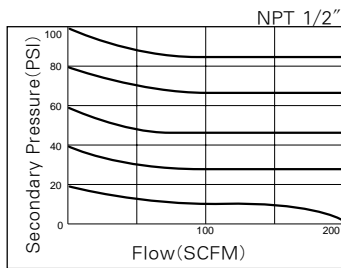
PR2000



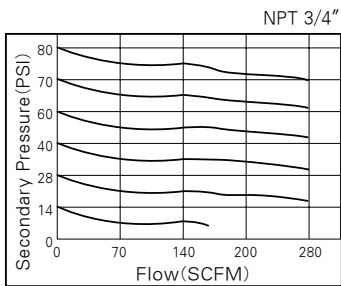
PR3000



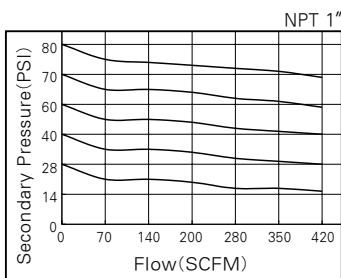
PR4000



PR5000



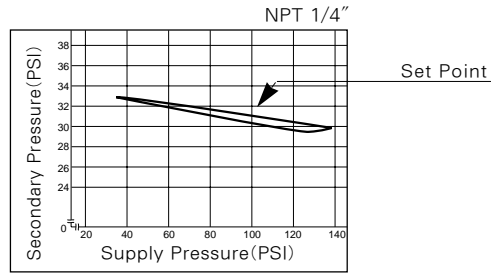
PR5000



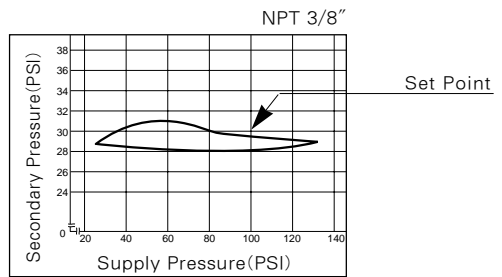
Pressure Characteristics

※ Operating pressure : 100 PSI(7 kgf/cm²)
 Secondary pressure : 30 PSI(2 kgf/cm²)
 Flow : 0.7SCFM(20Nl/min)

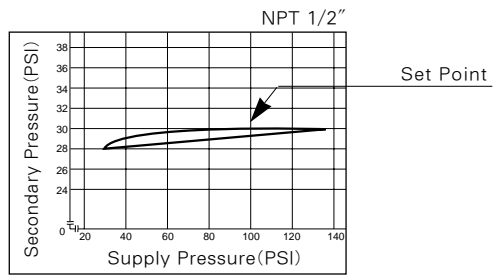
PR2000



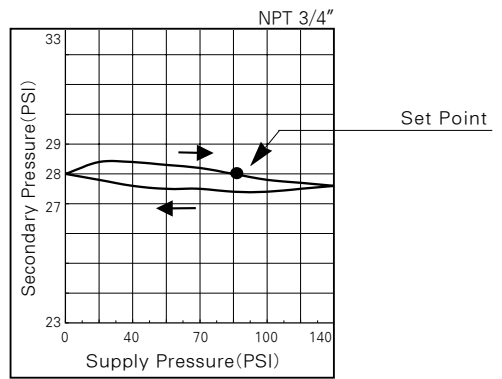
PR3000



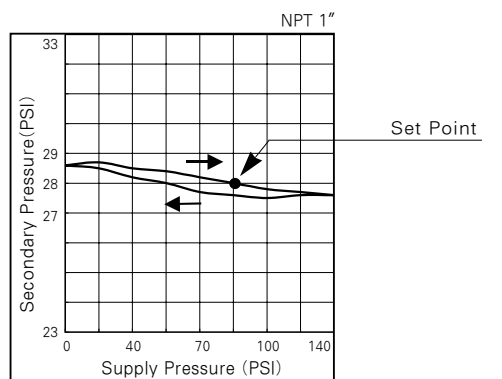
PR4000



PR5000

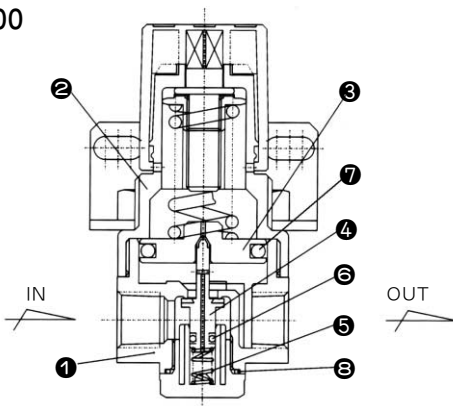


PR5000

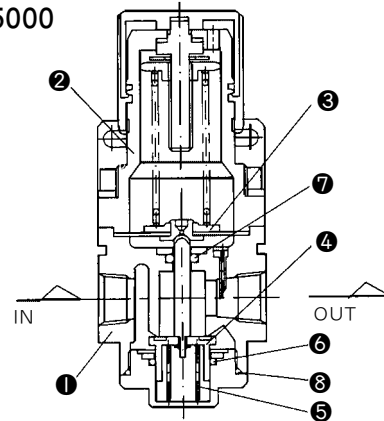


Construction/Parts List

PR2000



PR3000 · 4000 · 5000



Main Parts

No.	Name	Material				Note
		PR2000	PR3000	PR4000	UPR5000	
1	Body	Aluminum Die Cast				Baked Enamel Paint(Powder Coating)
2	Bonnet	Polyacetal Aluminum Die Cast				Black Paint

Parts List

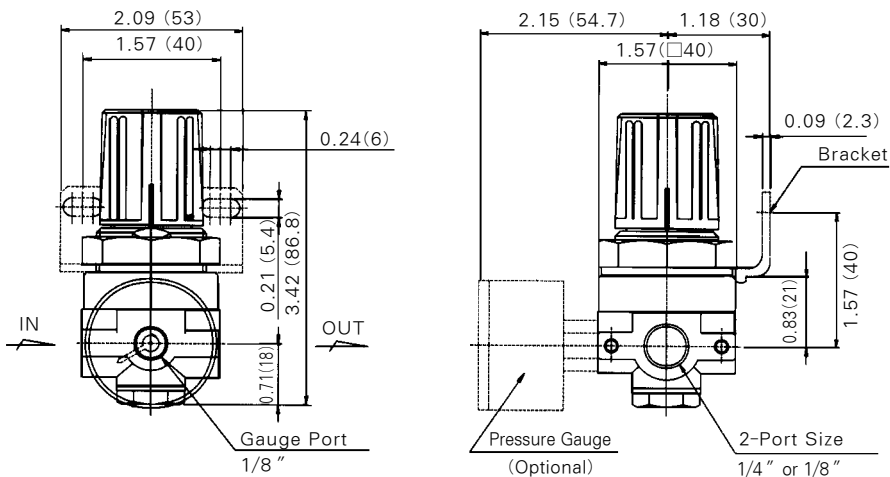
No.	Parts Name	Material	Part No.			
			PR2000	PR3000	PR4000	PR5000
3	Diaphragm Ass'y	NBR	*PR2000-13A-6035	TAR3000-13A-6005	TAR4000-13-6001	TAR4000-13A-6001
4	Valve Ass'y	Brass · NBR	PR2000-10A-6035	TAR3000-10A-6005	TAR4000-10-6001	PR5000-10A-6072
5	Valve Spring	Stainless Steel	PR2000-17-6035	TAR3000-17-6005	TAR4000-17-6001	TAR4000-17-6001
6	Valve O-ring	NBR	PR2000-07-6035	P-14	TAR4000-07-6001	TAR4000-07-6001
7	O-ring	NBR	-	TAR4000-04-6001	TAR4000-04-6001	TAR4000-04-6001
8	O-ring	NBR	CA63-1608	TAR3000-27-6005	TAR4000-27-6001	TAR4000-27-6001

* PR2000 Piston Type.

Dimensions

inch(mm)

PR2000



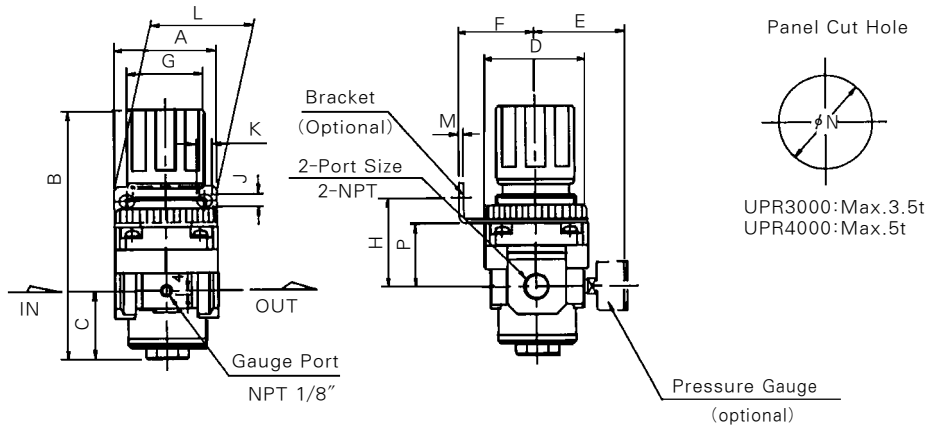
- PC
- PF
- PFH
PFU
- PR
- PL
- PW
- SH

Series PR

Dimensions

inch(mm)

PR3000 • 4000



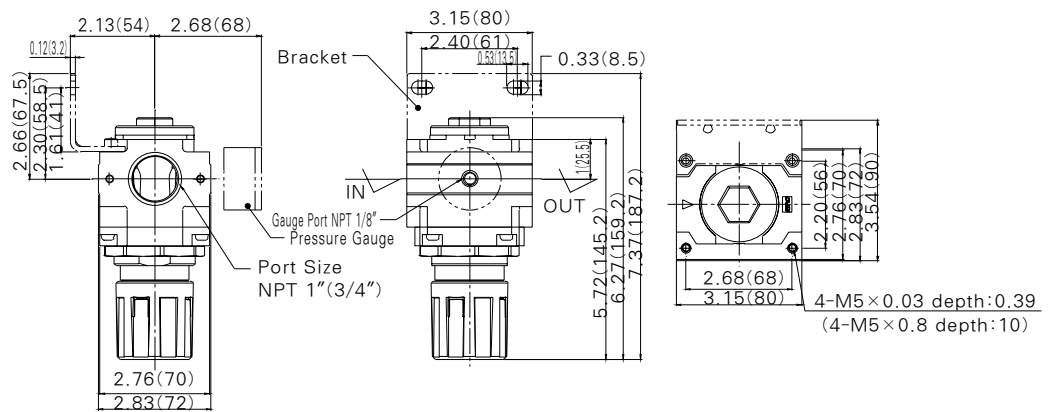
Panel Cut Hole
 UPR3000: Max. 3.5t
 UPR4000: Max. 5t

Model	Port Size (NPT)	A	B	C	D	E	F	G	H	J	K	M	∅N	P
PR3000	1/4" · 3/8"	2.09 (53)	4.88 (124)	1.38 (35)	2.09 (53)	2.62 (61.5)	1.61 (41)	1.58 (40)	1.81 (46)	0.26 (6.5)	0.32 (8)	0.09 (2.3)	1.67 (42.5)	1.28 (32.5)

Dimensions

inch(mm)

PR5000



4-M5 × 0.03 depth: 0.39
 (4-M5 × 0.8 depth: 10)

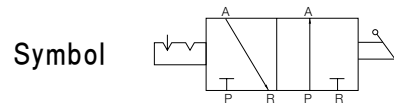
Model	Port Size (NPT)	A	B	C	D	E	F	G	H	J	K	M	∅N	P
PR4000	3/8" · 1/2"	2.76 (70)	5.89 (149.5)	1.48 (37.5)	2.76 (70)	2.62 (66.5)	1.97 (50)	2.13 (54)	2.13 (54)	0.33 (8.5)	0.41 (10.5)	0.09 (2.3)	2.07 (52.5)	1.42 (30)

Series SH 2000 · 3000 · 4000 · 5000

3 Way Lock Out Valve



- When in the exhaust position, the valve may be padlock secured. Prevents accidental start-ups while personnel are cleaning or servicing equipment.
- Combination with a modular style FRL is possible.
- Easy to operate
- The direction of air flow can be verified at a glance by the orientation of the handle.
- The valve is compact yet provides a large flow capacity.



How to Order

SH 2000 - 01

1 Pressure Relief 3port Valve (Shut-off Valve)

Blank : Rc(PT)
U : NPT

2 Body Size

2000	1/4
3000	3/8
4000	1/2
5000	1

3 Port size

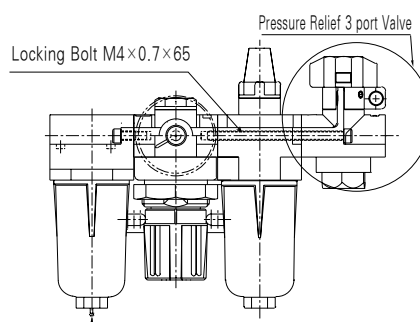
	2000	3000	4000	5000
01 : 1/8				
02 : 1/4				
03 : 3/8				
04 : 1/2				
06 : 3/4				
10 : 1				

Connector

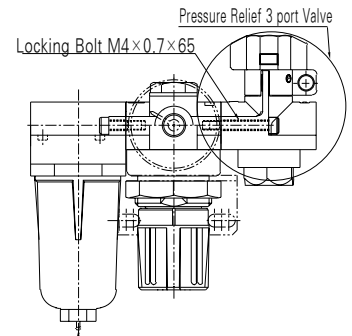
Bracket Format	Applied Type	Application F.R.L
Y20	SH2000	*PC2000~PC2020
Y30	SH3000	PC3000~PC3020
Y40	SH4000	AC4000~AC4020
-	SH5000	*PC5000~PC5020

※ Interface part is required if attached to a modular FRL.
(Refer to the table below for the interface part number.)

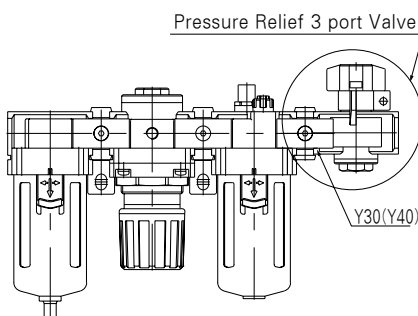
〈PC2000〉



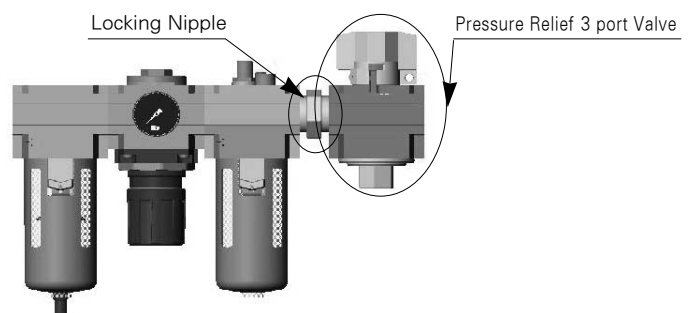
〈PC2020〉



〈PC3000~PC3020(PC4000~PC4020)〉



〈PC5000〉



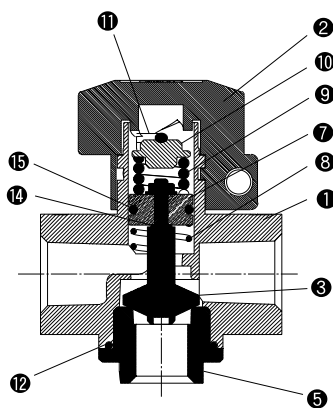
Specifications

Fluid	Air							
Operating Pressure Range	0.1~1.0MPa(1~10.2kgf/cm ²)							
Ambient and Fluid Temperature	5~60℃							
Handle Switching Angle	90°							
IN · OUT Port Body Size Rc(PT)	SH2000		SH3000		SH4000		SH5000	
	1/8	1/4	1/4	3/8	3/8	1/2	3/4	1
Body Size Rc(PT)	1/8		1/4		3/8		3/4	
Effective Area(mm ²)(Cv)	10(0.59)	14(0.82)	20(1.17)	31(1.82)	38(2.23)	57(3.35)	120(7.1)	140(8.24)
Weight(g)	210		260		380		1,000	

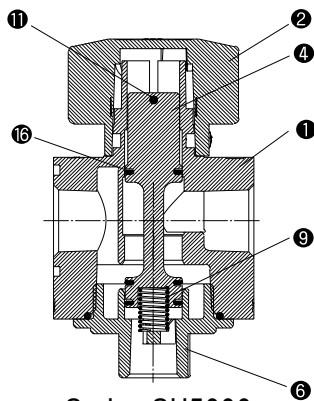
Model

Series	Port Size	Padlock Mounting Position
SH2000	Rc(PT) 1/8, 1/4	Rc(PT) 1/8
SH3000	Rc(PT) 1/4, 3/8	Rc(PT) 1/4
SH4000	Rc(PT) 3/8, 1/2	Rc(PT) 3/8
SH5000	Rc(PT) 3/4, 1	Rc(PT) 1/2

Construction



Series SH2000 · 3000 · 4000



Series SH5000

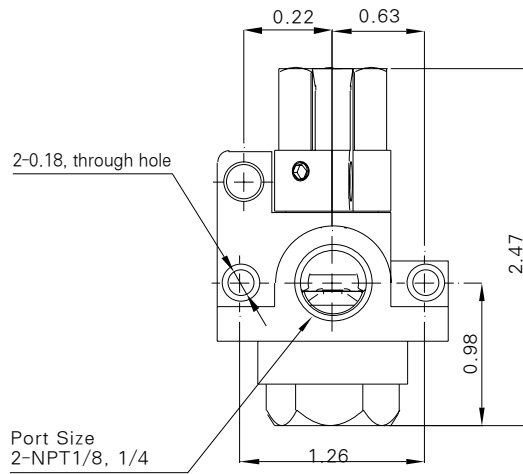
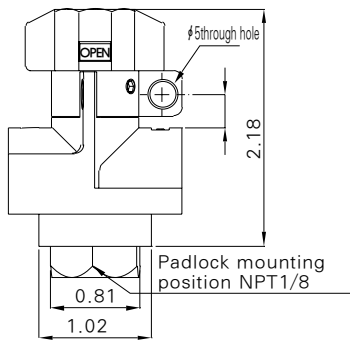
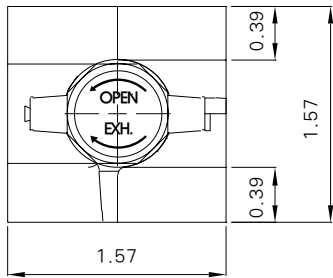
Component Parts

NO	Description	Material	Note
①	BODY	ABC	SH2000
②	HANDLE	Zinc alloy	Chromated
③	POPPET VALVE	-	
④	SPOOL	ADC12	Chromated
⑤	POPPET VALVE GUIDE	Zinc alloy	Chromated
⑥	SPOOL GUIDE	Zinc alloy	Chromated
⑦	PISTON	C3604	
⑧	POPPET VALVE SPRING	SWP	Chromated
⑨	SPRING	SWP	Chromated
⑩	SPRING HOLDER	SUM	
⑪	Parallel PIN	SUM	
⑫	POPPET VALVE GUIDE GASKET	NBR	
⑬	SPOOL GUIDE GASKET	NBR	
⑭	POPPET VALVE GASKET	NBR	
⑮	PISTON PACKING	NBR	
⑯	SPOOL PACKING	NBR	

Series SH

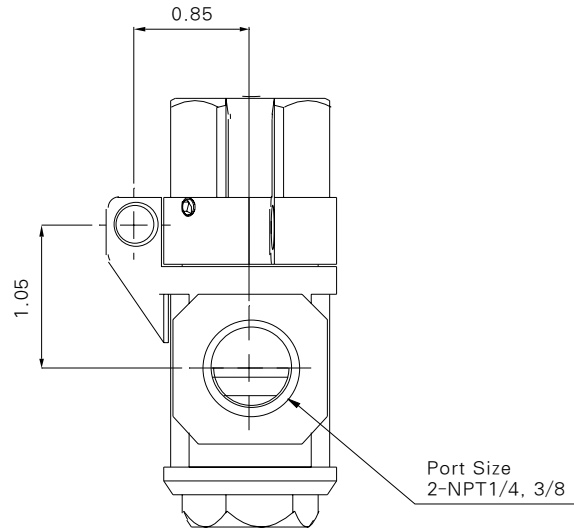
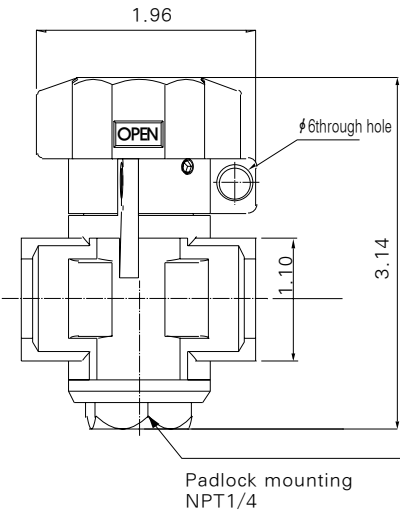
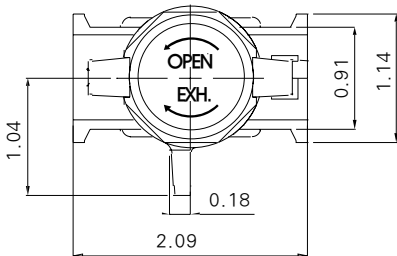
Dimensions

Series SH2000



Port Size
2-NPT1/8, 1/4

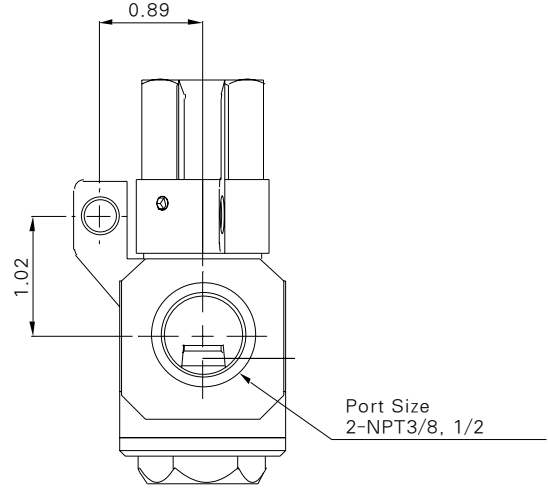
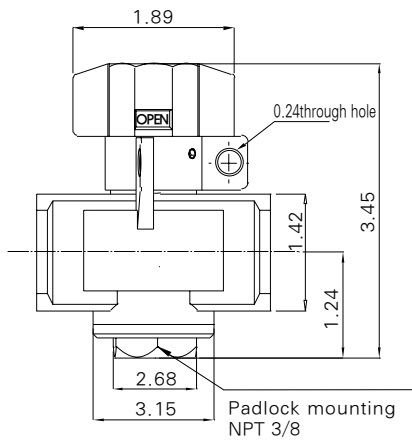
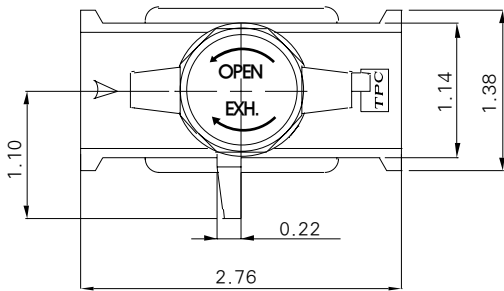
Series SH3000



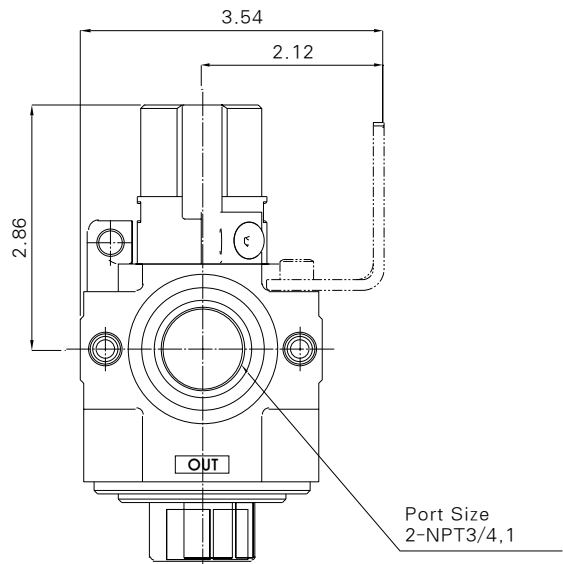
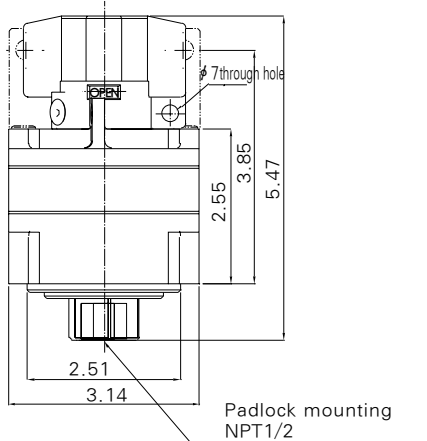
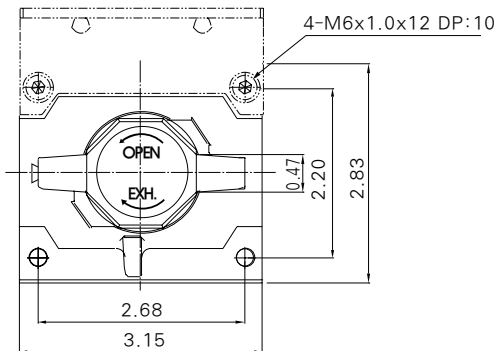
Port Size
2-NPT1/4, 3/8

Dimensions

Series SH4000



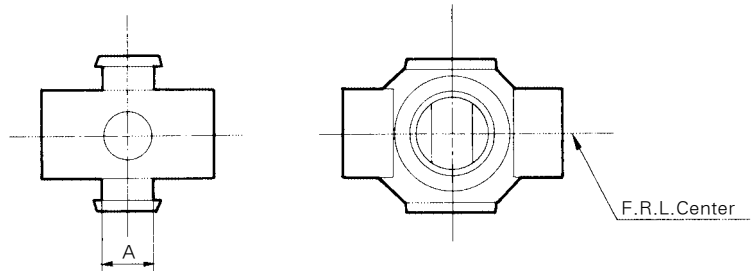
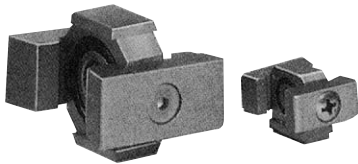
Series SH5000



- PC
- PF
- PFH
PFU
- PR
- PL
- PW
- SH

Accessories

Spacer

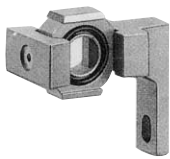


inch(mm)

Model	A	Applicable models
Y30	0.43(11)	PC3000~PC3020
Y40	0.55(14)	PC4000~PC4020

*PC2000 Series : Spacer No.

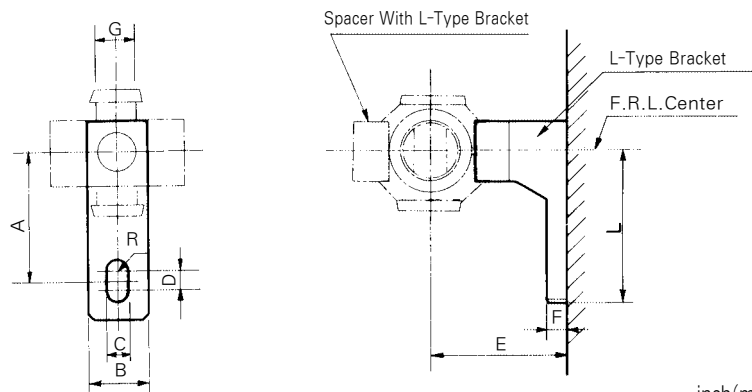
Spacer with L-Type Bracket



Spacer with L-Type bracket



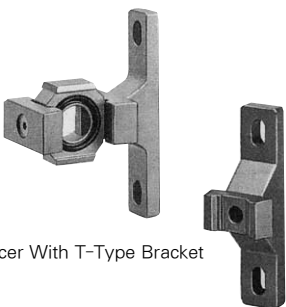
L-Type bracket



inch(mm)

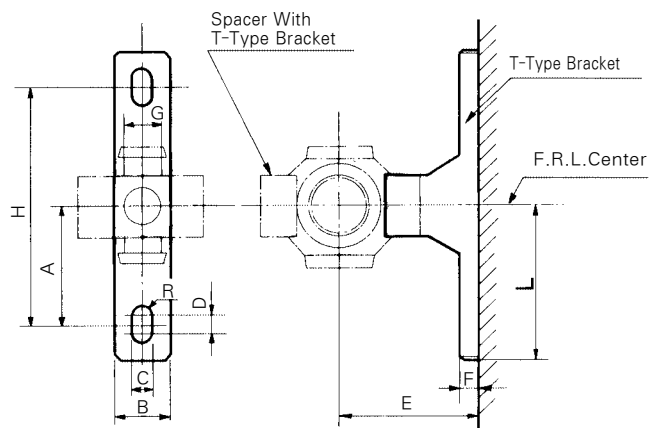
L-Type Bracket	Spacer with L-type Bracket	A	B	C	D	E	F	G	R	L	Applicable Models
TAC3000-06-6007	Y30L	1.38 (35)	0.63 (16)	0.28 (7)	0.16 (4)	1.61 (41)	0.28 (7)	0.43 (11)	0.14 (3.5)	1.77 (45)	PC3000
TAC4000-06-6003	Y40L	1.57 (40)	0.87 (22)	0.35 (9)	0.16 (4)	1.97 (50)	0.28 (7)	0.55 (14)	0.18 (4.5)	1.97 (50)	PC4000

Spacer with T-Type Bracket



Spacer With T-Type Bracket

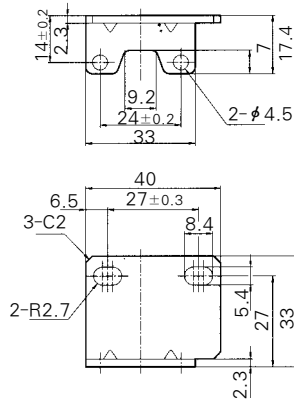
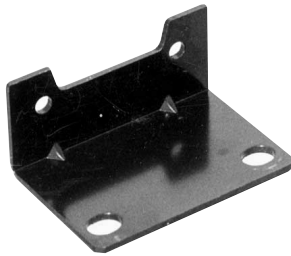
T-Type Bracket



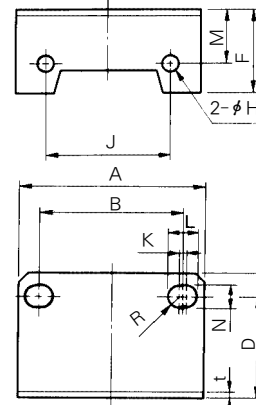
inch(mm)

L-type Bracket	Spacer With L-type Bracket	A	B	C	D	E	F	H	R	L	Applicable models
TAC3000-07-6007	Y30T	1.38 (35)	0.63 (16)	0.28 (7)	0.15 (3.8)	1.61 (41)	0.28 (7)	0.43 (11)	0.14 (3.5)	1.77 (45)	PC3010,3020
TAC4000-07-6003	Y40T	1.57 (40)	0.87 (22)	0.35 (9)	0.16 (4)	1.97 (50)	0.28 (7)	3.15 (80)	0.18 (4.5)	1.97 (50)	PC4010,4020

Bracket For PF · PL



PF · PL
(2000)

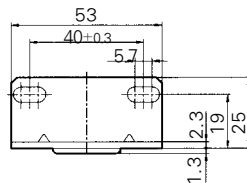


PF · PL
(3000 · 4000)

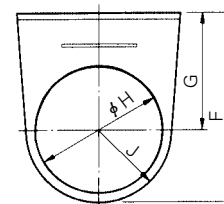
Model	A	B	C	D	F	H	J	K	L	M	N	R	t	Mounting Screw (Head cap Screw)	Applicable Models
PF2000-43-6034	1.57 (40)	1.06 (27)	1.30 (33)	1.06 (27)	0.69 (17.4)	0.18 (4.5)	0.94 (24)	0.12 (3)	0.33 (8.4)	0.55 (14)	0.21 (5.4)	0.11 (2.7)	0.09 (2.3)	M4×5 l M4×8 l	PF2000, PL2000
TAF3000-43-6004	2.09 (53)	1.57 (40)	1.54 (39)	1.26 (32)	1.0 (25.5)	0.18 (4.5)	1.38 (35)	0.06 (1.5)	0.31 (8)	0.75 (19)	0.26 (6.5)	0.13 (3.25)	0.09 (2.3)	M4×8 l (Hexagon socket)	PF3000, PL3000
TAF4000-08-6003	2.76 (70)	2.12 (54)	1.85 (47)	1.50 (38)	1.24 (31.5)	0.22 (5.5)	1.85 (47)	0.08 (2)	0.41 (10.5)	0.79 (20)	0.33 (8.5)	0.17 (4.25)	0.09 (2.3)	M5×10 l (Hexagon socket)	PF4000, PL4000
PC5000-08-6075	3.15 (80)	2.40 (61)	1.97 (50)	1.61 (41)	1.38 (35)	0.25 (6.5)	2.68 (68)	0.08 (2)	0.53 (13.5)	1.02 (26)	0.33 (8.5)	0.17 (4.25)	0.13 (3.2)	M6×1.0×12 (Hexagon socket)	PF5000, PR5000, PL5000

inch(mm)

Bracket For UPR · UPW



PR · PW
(2000)



PR · PW
(3000 · 4000)

Model	A	B	C	D	F	G	φH	J	K	L	N	R	t	Applicable Models
PR2000-43-6035	2.09 (53)	1.57 (40)	0.98 (25)	0.75 (19)	1.95 (49.5)	1.18 (30)	1.26 (32)	0.77 (19.5)	0.24 (6)	0.45 (11.4)	0.21 (5.4)	0.11 (2.7)	0.09 (2.3)	PR2000,PW2000
TAR3000-43-6005	2.09 (53)	1.57 (40)	0.83 (21)	0.53 (13.5)	2.60 (66)	1.61 (41)	1.67 (42.5)	0.98 (25)	0.06 (1.5)	0.31 (8)	0.26 (6.5)	0.13 (3.25)	0.09 (2.3)	PR3000,PW3020
TAC4000-09-6003	2.76 (70)	2.12 (54)	1.06 (27)	0.71 (18)	3.15 (80)	1.97 (50)	2.07 (52.5)	1.18 (30)	0.08 (2)	0.41 (10.5)	0.33 (8.5)	0.17 (4.25)	0.09 (2.3)	PR4000,PW4000
PC5000-08-6075	2.76 (70)	2.12 (54)	1.06 (27)	0.71 (18)	3.15 (80)	1.97 (50)	2.07 (52.5)	1.18 (30)	0.08 (2)	0.41 (10.5)	0.33 (8.5)	0.17 (4.25)	0.09 (2.3)	PR5000,PW5000

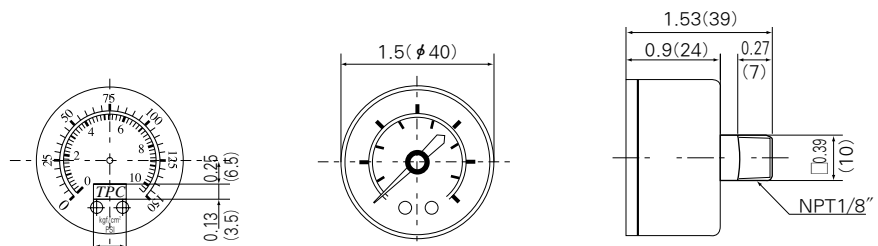
inch(mm)

Pressure Gauge For PC, PR, PW



PR4000-16-6001

inch(mm)



Model	Pressure range	Applicable Models
PR4000-16-6001	0~150 PSI	PC, PR, PW

PC

PF

PFH
PFU

PR

PL

PW

SH