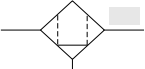
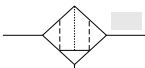


# Series **PFH/PFU** 3000/4000

## Coalescing Filter / 0.3 $\mu$ m, 0.01 $\mu$ m



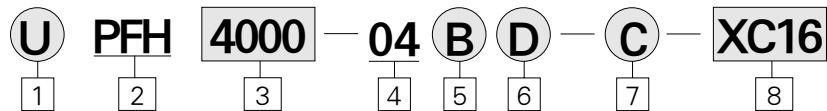
Series	Port Size	Bowl Capacity (oz)	Filtration	Symbol
PFH3000	1/4(8A), 3/8(10A)	2.0	0.3 $\mu$ m	
PFU3000			0.01 $\mu$ m	
PFH4000	3/8(10A), 1/2(15A)	6.0	0.3 $\mu$ m	
PFU4000			0.01 $\mu$ m	

### ● Element Color

White : 0.3 $\mu$ m

Black : 0.01 $\mu$ m

## How to Order



### 1 Port

Blank : Rc (PT)  
U : NPT

### 2 Filtration

PFH : 0.3 $\mu$ m  
PFU : 0.01 $\mu$ m

### 3 Body Size

3000 : 1/4, 3/8  
4000 : 3/8, 1/2

### 4 Port Size

02 : 1/4  
03 : 3/8  
04 : 1/2

### 5 Bracket

Blank : None  
B : Bracket

### 6 Drain

Blank : Manual Drain  
D : Auto Drain

### 7 Bowl Guard (3000 only)

Blank : None  
C : Bowl Guard

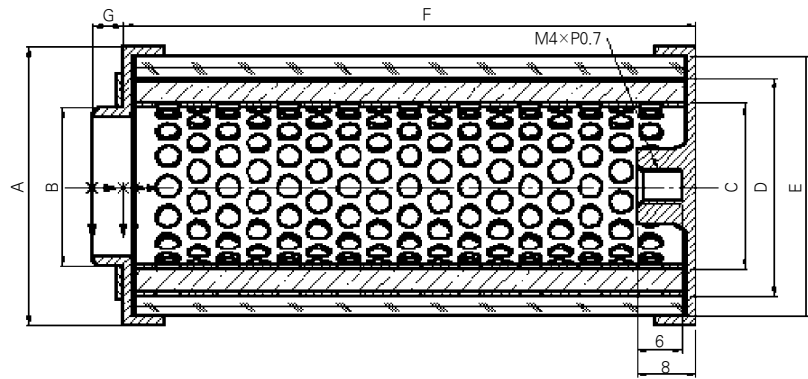
### 8 Special Option

Blank : Standard  
XC16 : Copper-Free

## Specifications

Series	PFH/PFU3000	PFH/PFU4000
Port Size	1/4, 3/8	3/8, 1/2
Filtration	PFH:0.3 $\mu$ m, PFU:0.01 $\mu$ m	
Max. Supply Pressure	213 PSI	
Min. Operating Pressure	150 PSI	
Ambient and Media Temperature	40 ~ 140 F	
Bowl Material	Polycarbonate	
Bowl Capacity (oz)	2.0	6.0
Weight lbs	0.64	1.21

**COALESCING FILTER**

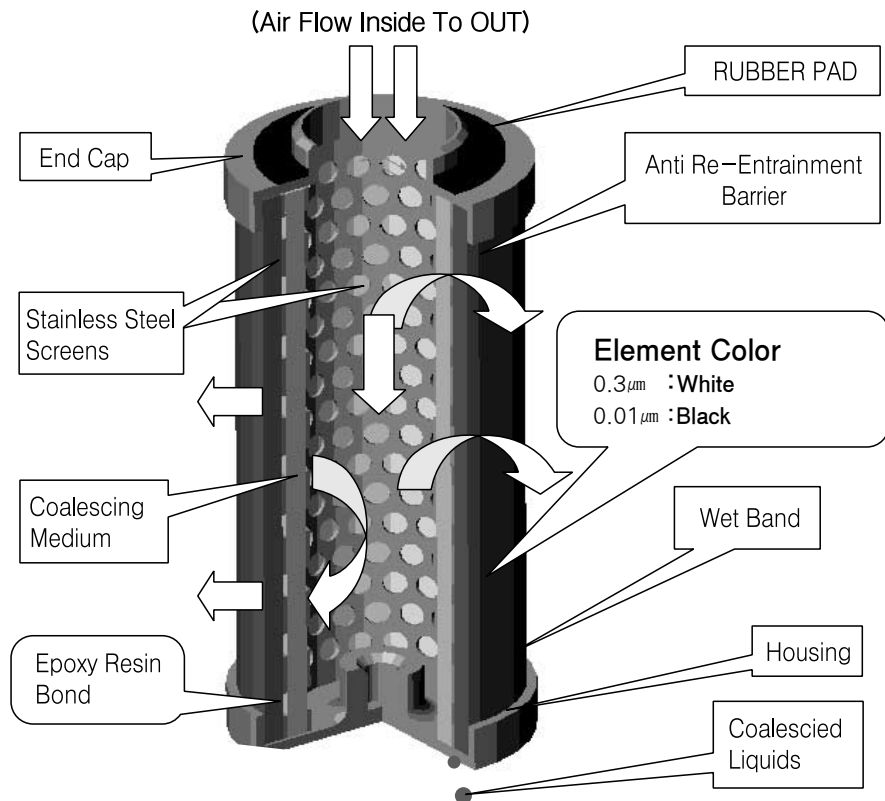


COALESCING FILTER ELEMENT SPEC.

Series	A	B	C	D	E	F	G
PFH/U3000	∅ 30	∅ 16.5	∅ 18.5	∅ 24.6	∅ 27.5	44	4
PFH/U4000	∅ 37	∅ 21	∅ 21	∅ 32	∅ 34.5	67	4

- PC
- PF
- PFH**
- PFU**
- PR
- PL
- PW
- SH

**Element Construction**

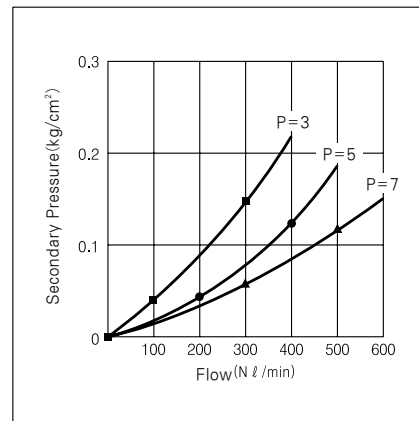


## Accessories(Optional)

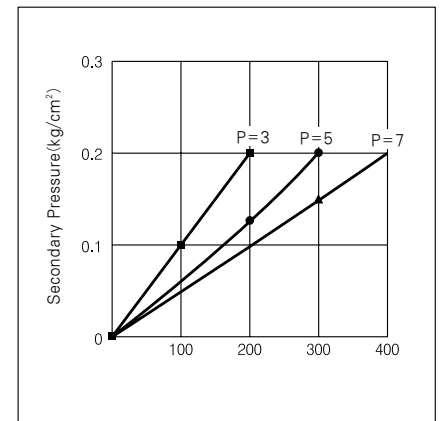
Name		Part No	
		PFH/PFU3000	PFH/PFU4000
Bracket		TAF3000-43-6004	TAC4000-08-6003
Auto drain	N.O	TAF3000-01A-6008	TAF4000-01A-6009

## Flow Characteristics

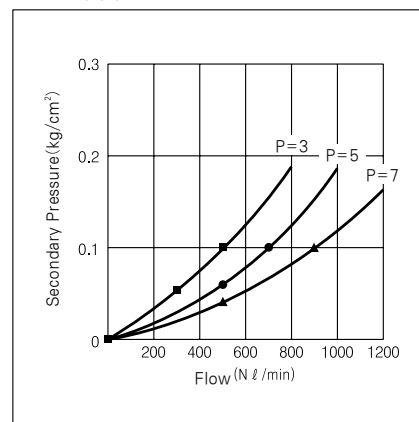
**PFH3000**



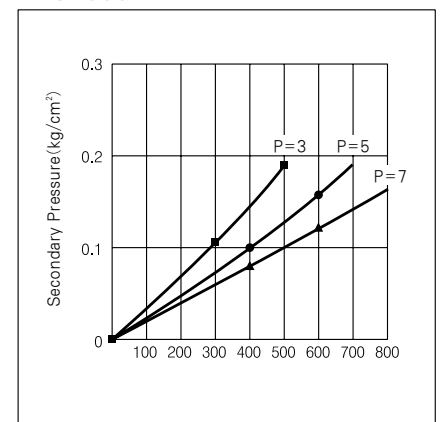
**PFU3000**



**PFH4000**



**PFU4000**



## Precautions

### Installation

- ① Flush piping before installation.
- ② The use of the piping adapters will make installation easier.
- ③ The regulator may be installed with the adjustment knob up or down.

### Auto Drain

#### Float type (Normally Open)(PC3000, 4000)

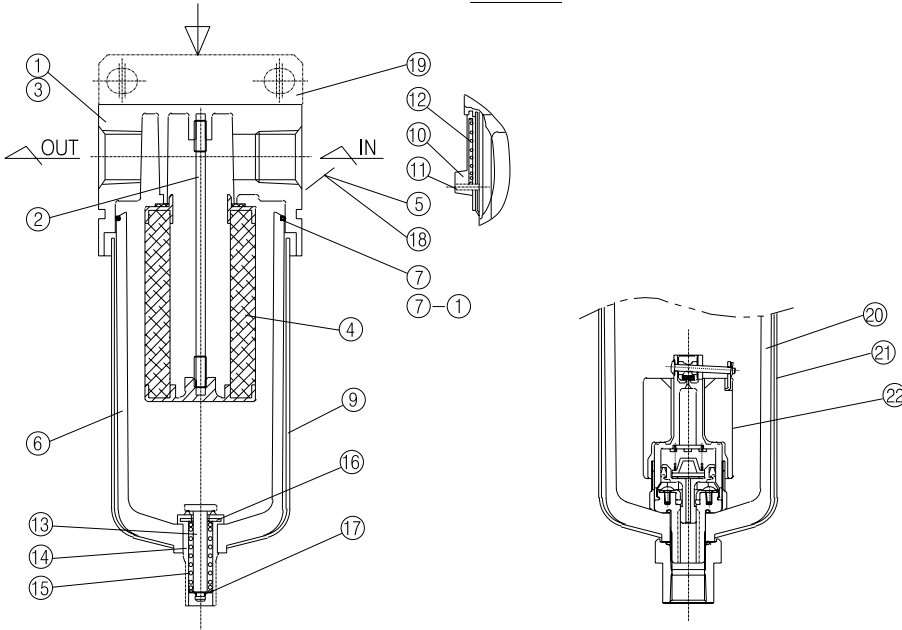
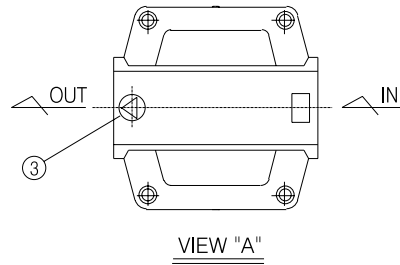
- ① Drain line should be 5/16 inch(8mm) or more and should be less than 16.5ft(5m)long. Be sure not to have any upward turns in the drain line which would prevent drainage.
- ② Unsuitable for flow below 3.5 SCFM(100N l/min)
- ③ Min. operating pressure is 15 PSI (1kgf/cm<sup>2</sup>)
- ④ Soft nylon tube of more than 3/32 inch(φ 2.5)O.D, is recommended for drain pipe. The length should be less than 16 ft.(5m)long.
- ⑤ Should be installed vertically.

### Atmosphere

- ① Polycarbonate bowls may be damaged and possibly fail if exposed to synthetic oils, thinner solvents, trichlorethylene, kerosene of other aromatic hydrocarbons.

Construction/Parts List

- PC
- PF
- PFH**
- PFU**
- PR
- PL
- PW
- SH



\*AUTODRAIN TYPE

Parts List

NO	Description	Material
①	BODY	AL
②	BAFFLE SHAFT	C2700W
③	AN ARROW LOGO	-
④	FILTER ELEMENT	-
⑤	WRENCH BOLT	SCM3
⑥	BOWL	POLYCARBONATE
⑦	BOWL O-RING	NBR
⑧	BOWL O-RING STOPPER	ACETAL
⑨	BOWL GUARD	SBCE
⑩	LOCK BUTTON	ABS
⑪	LOCK BUTTON PIN	ABS

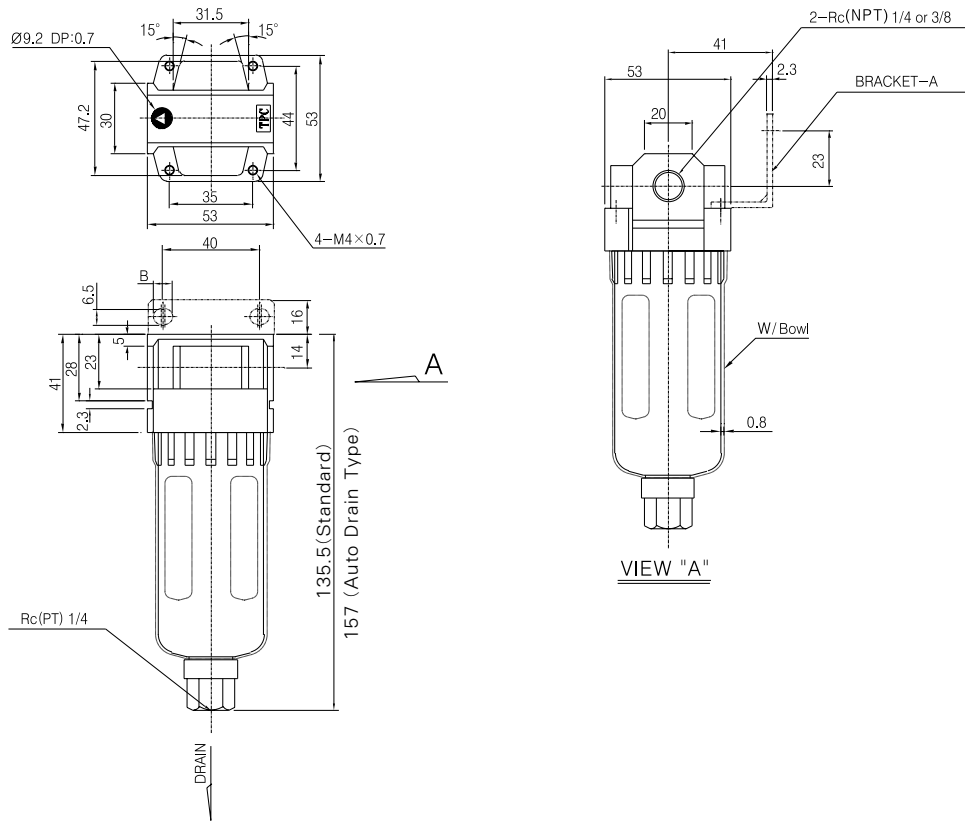
NO	Description	Material
⑫	LOCK BUTTON SPRING	STS WPB
⑬	DRAIN STEM	C3604
⑭	HOUSING	NBR
⑮	DRAIN STEM	STS WPB
⑯	WASHER	BSS
⑰	STOPPER	STS
⑱	NAME PLATE	TETRON
⑲	BRACKET-A	SB
⑳	BOWL(AUTO DRAIN)	POLYCARBONATE
㉑	BOWL GUARD(AUTO DRAIN)	SBCE(SPCE)
㉒	AUTO DRAIN V/V ASS'Y	

Spare Parts / Packing List

NO	Description	Description No	
		PFH/PFU3000	PFH/PFU4000
④	Filter Element	PFH3000-005A-6081	PFH4000-005A-6083
		PFU3000-005A-6082	PFU4000-005A-6084
⑦	Case ORing	TAF3000-08-6004	TAF4000-08-6000
⑦-①	Case Ass'y	TAF3000-07A-6004	TAF4000-07A-6000

# Series PFH/PFU

## Dimensions PFH3000 / PFU3000



## Dimensions PFH4000 / PFU4000

