

Series **PC** 2020 · 3020 · 4020 · 5020

Modular Filter, Regulator Combinations



Standard specifications					
Model		PC2020	PC3020	PC4020	PC5020
Combination	Filter	PF2000	PF3000	PF4000	PF5000
	Regulator	PR2000	PR3000	PR4000	PR5000
Port Size(NPT)		1/8", 1/4"	1/4", 3/8"	3/8", 1/2"	3/4", 1"
Port size for Pressure gauge(NPT)		1/8"			
Regulating Range		7~125 PSI (0.5 ~ 8.5kgf/cm ²)			
Weight Lbs. (kgf)		0.79(0.36)	1.81(0.82)	3.55(1.61)	4.43(2.01)
※ Max. Flow rate SCFM(N l /min)		20(550)	50(1500)	140(4000)	175(5,000)

※ Conditions: Supply pressure-100 PSI(7 kgf/cm²), Setting pressure-70 PSI(5 kgf/cm²)

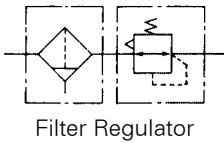
● Accessories(Optional)

Name		Part No.			
		PC2020	PC3020	PC4020	PC5020
Pressure gauge	150 PSI	TAR4000-16-6001			
Auto drain	N·O	※PF2000-01A-6039	TAF3000-01A-6008	TAF4000-01A-6009	PF5000-01A-6071

- Min Operating Pressure : 1kgf/cm²(15PSI)

※ Differential Pressure type

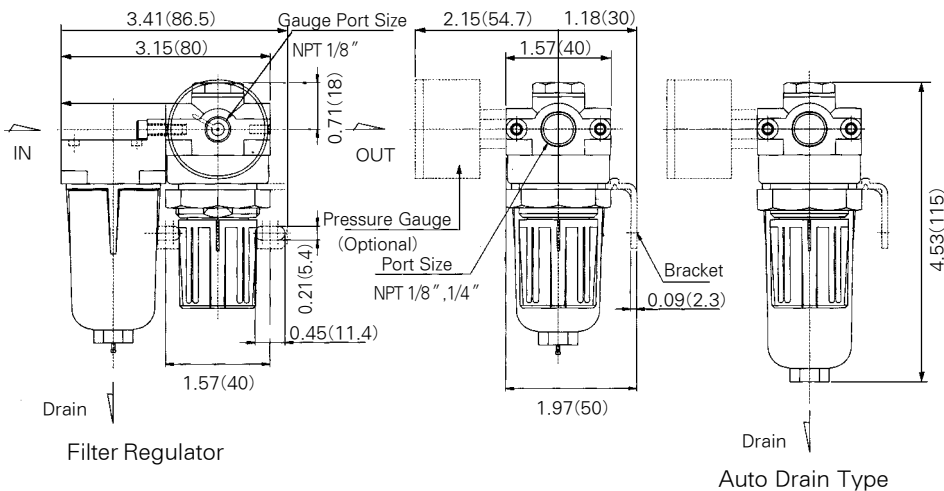
Symbol



Dimensions

inch(mm)

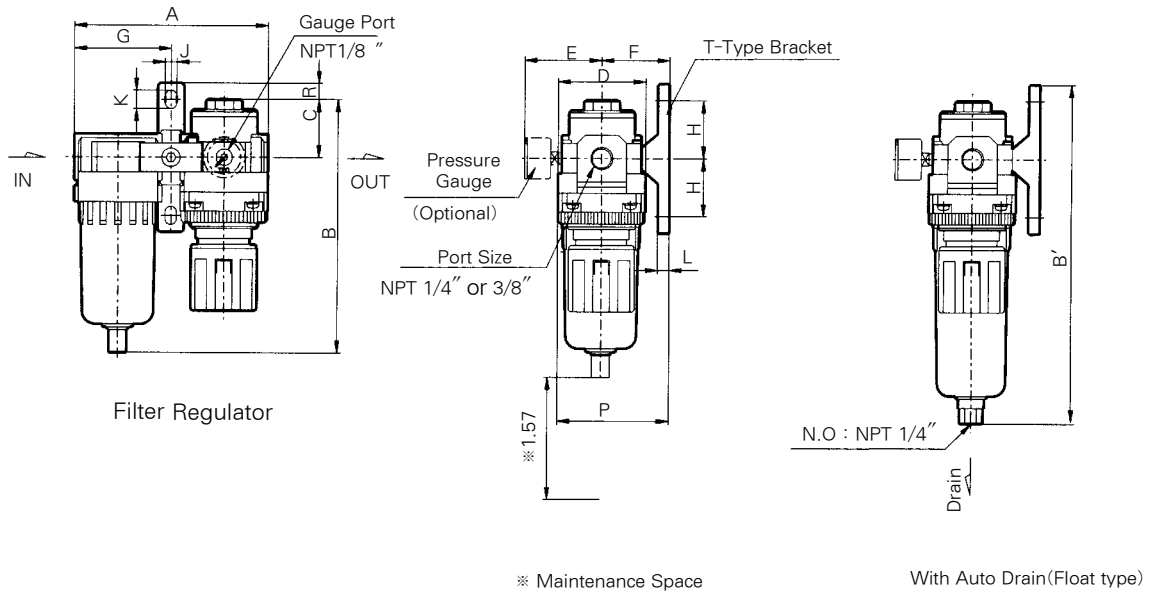
PC2020



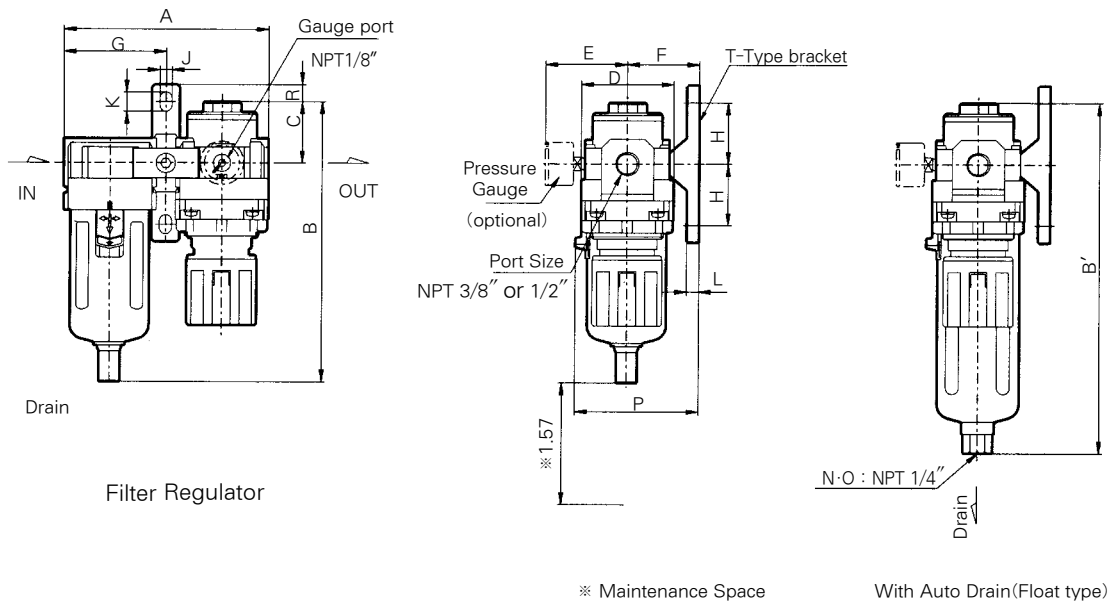
Dimensions

inch(mm)

PC3020



PC4020



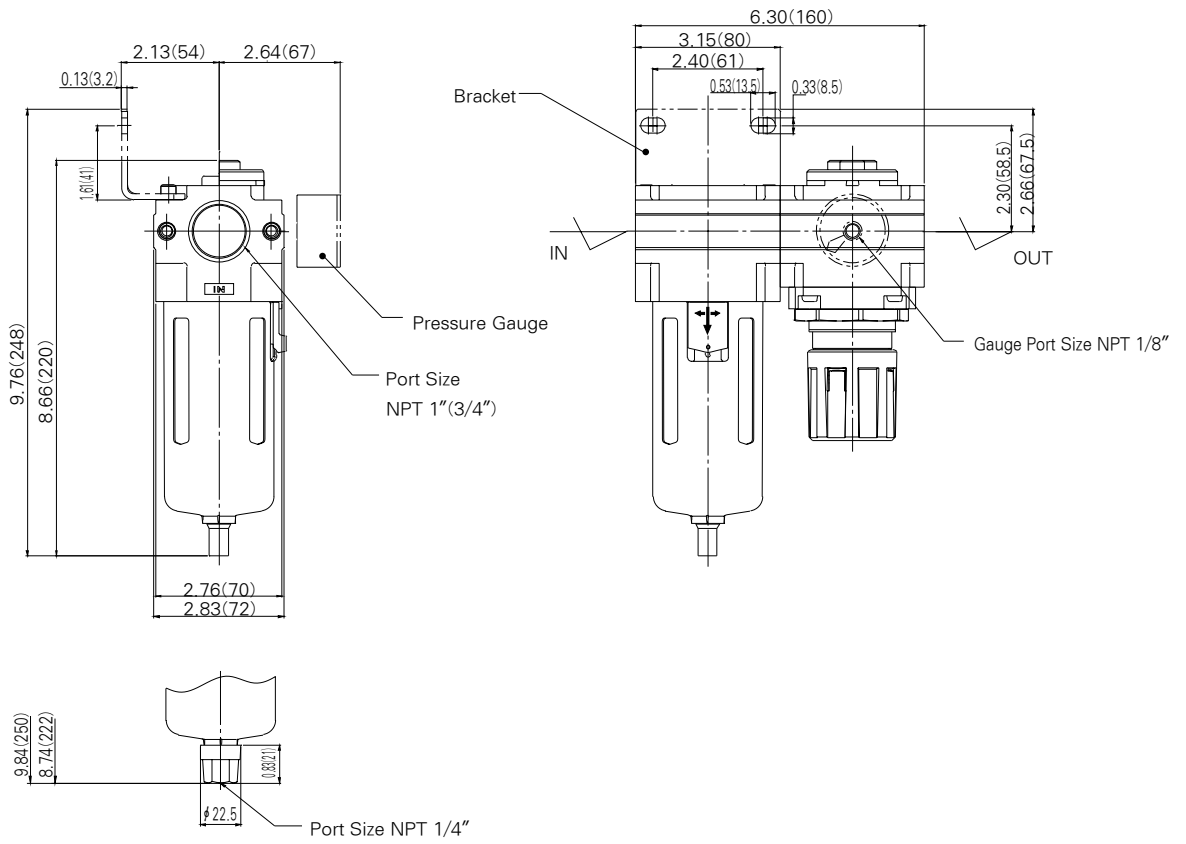
Model	Port Size (NPT)	inch(mm)													
		A	B	C	D	E	F	G	H	J	K	L	P	R	With Auto Drain Float type N·O B'
PC3020	1/4" · 3/8"	4.60 (117)	6.16 (156.5)	1.38 (35)	2.09 (53)	2.62 (66.5)	1.61 (41)	2.30 (58.5)	1.38 (35)	0.28 (7)	0.43 (11)	0.28 (7)	2.66 (67.5)	0.40 (10)	7.00 (178)
PC4020	3/8" · 1/2"	117 (154)	7.54 (191.5)	1.38 (37.5)	2.09 (70)	2.58 (65.5)	1.97 (50)	3.03 (77)	1.57 (40)	0.35 (9)	0.51 (13)	0.28 (7)	3.46 (88)	0.50 (12.5)	8.34 (212.5)

- PC
- PF
- PFH
PFU
- PR
- PL
- PW
- SH

Dimensions

inch(mm)

PC5020



Auto Drain Type