

Series **PC** 2010 • 3010 • 4010 • 5010

Modular Filter/Regulator, Lubricator Combinations

PC

PF

PFH
PFU

PR

PL

PW

SH



PC2010

PC3010

PC4010

PC5010

Standard Specifications					
Model		PC2010	PC3010	PC4010	PC5000
Combination	Filter Regulator	PW2000	PW3000	PW4000	PW5000
	Lubricator	PL2000	PL3000	PL4000	PL5000
Port size (NPT)		1/8", 1/4"	1/4", 3/8"	3/8", 1/2"	3/4", 1"
Port size for Pressure		1/8"			
Max. Flow rate SCFM(Nl./min)		18(500)	60(1,700)	105(3,000)	175(5000)
Weight Lbs. (kgf)		1.46(0.66)	2.16(0.98)	4.25(1.93)	4.91(2.23)

* Conditions: Supply pressure-100 PSI(7 kgf/cm²), Setting pressure-70 PSI(5 kgf/cm²)

* Add Note as on PC

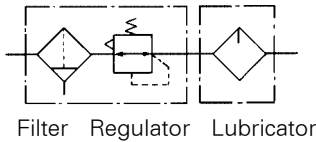
● Accessories(Optional)

Name		Part No.			
		PC2010	PC3010	PC4010	PC5010
Pressure gauge	150 PSI	TAR4000-16-6001			
Auto drain	N-O	*PF2000-01A-6039	TAF3000-01A-6008	TAF4000-01A-6009	PF5000-01A-6071

* PC2010:Differential Pressure type

- Min Operating Pressure : 1kgf/cm²(15PSI)

Symbol

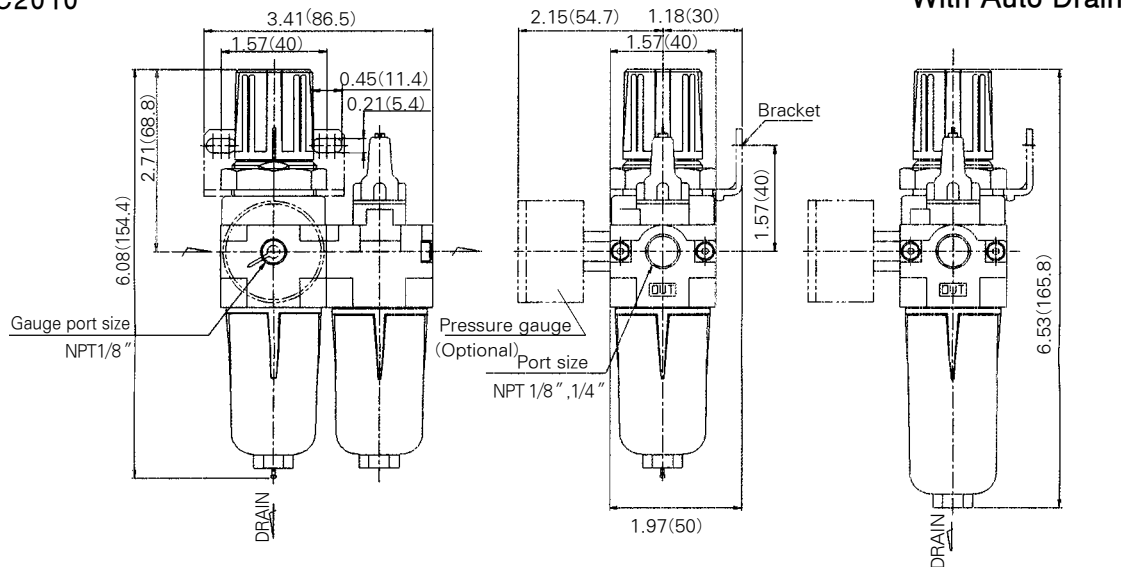


Filter Regulator Lubricator

Dimensions

inch(mm)

PC2010

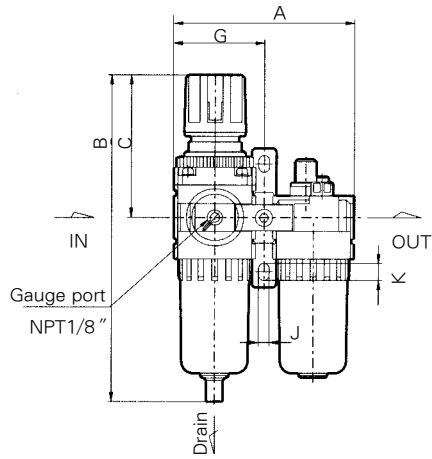


Series PC

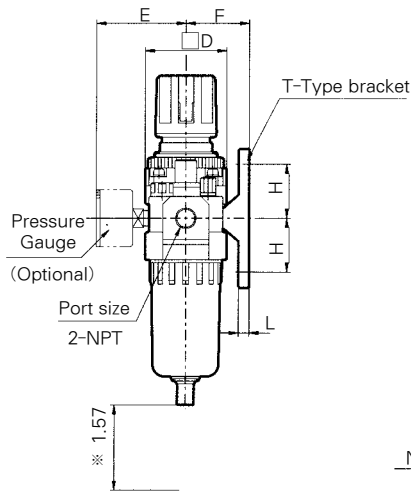
Dimensions

inch(mm)

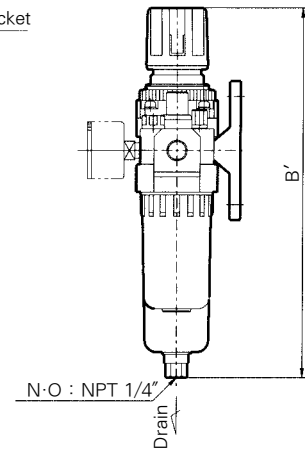
PC3010



Filter Regulator

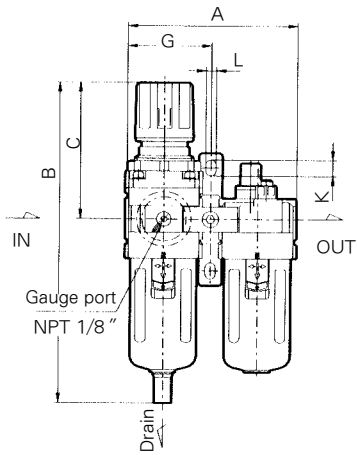


※ Maintenance Space

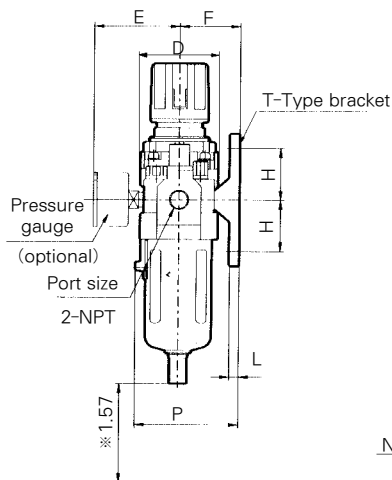


With Auto Drain(Float type)

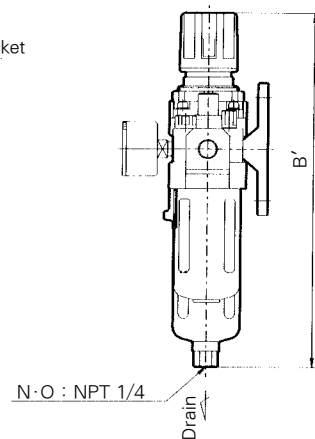
PC4010



Filter Regulator



※ Maintenance Space



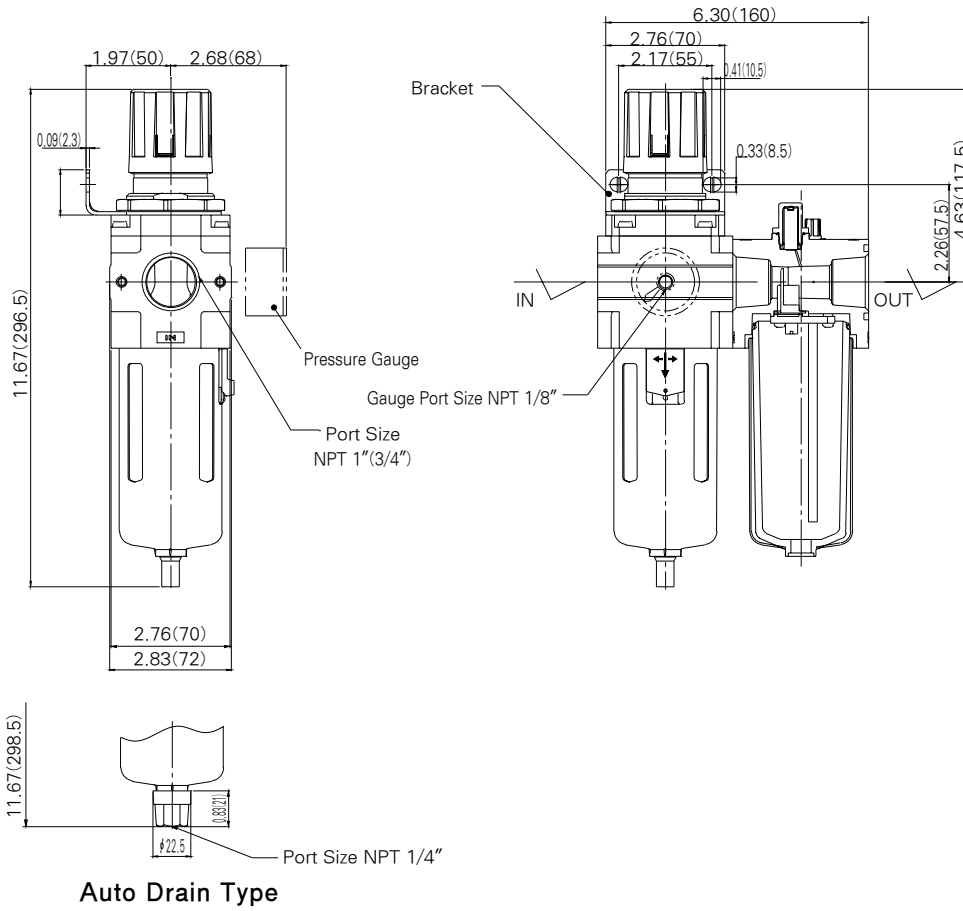
With Auto Drain(Float type)

Model	Port Size (NPT)	A	B	C	D	E	F	G	H	J	K	L	P	inch(mm)	
														With Auto Drain Float type N·O	B'
PC3010	1/4" · 3/8"	4.61 (117)	8.14 (206.8)	3.64 (92.5)	2.09 (53)	2.62 (66.5)	1.61 (41)	2.30 (58.5)	1.38 (35)	0.28 (7)	0.43 (11)	0.28 (7)	-	9.31 (236.5)	
PC4010	3/8" · 1/2"	6.06 (154)	10.31 (262)	4.40 (112)	2.76 (70)	2.78 (70.5)	1.79 (50)	3.03 (77)	1.57 (40)	0.35 (9)	0.51 (13)	0.28 (7)	3.46 (88)	11.34 (288)	

Dimensions

inch(mm)

PC5010



- PC
- PF
- PFH
PFU
- PR
- PL
- PW
- SH