

Series AX

Standard Type/Double Acting : Single Rod

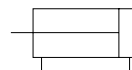
Bore Size(mm) : $\phi 20$, $\phi 25$, $\phi 32$, $\phi 40$



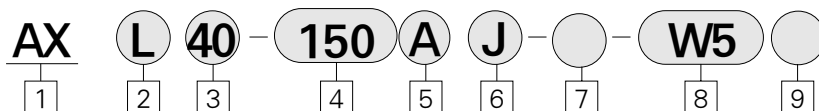
- STAINLESS STEEL BODY
- HIGH CYCLE LIFE
- LOW BREAKAWAY
- NUMEROUS MOUNTING OPTIONS
- MAGNET STANDARD FOR AUTO SWITCH
- BUMPERS STANDARD (AIR CUSHION OPTIONAL)
- DESIGNED FOR NON-LUBRICATED SERVICE
- COMPACT LIGHT DESIGN
- REPLACEABLE ROD GLAND
- MANUFACTURING CERTIFIED TO ISO 9001 / 9002

Symbol

Double acting/Single rod



How to Order



1 Air Cylinder

2 Mounting

- B : Basic type
- L : Axial foot type
- F : Rod side flange type
- G : Head side flange type
- C : Single clevis type
- D : Double clevis type
- T : Head side trunnion type
- U : Rod side trunnion type
- E : Integrated clevis type
- BZ : Boss-cut basic type
- FZ : Boss-cut flange type
- UZ : Boss-cut trunnion type

3 Bore Size(mm)

- 20 : $\phi 20$
- 25 : $\phi 25$
- 32 : $\phi 32$
- 40 : $\phi 40$

4 Stroke(mm)

※ For Stroke Refer to page A-40

5 Cushion

- Blank : Rubber Cushion
- A : Air Cushion

6 Rod Boot Option

- Blank : Without Boot
- J : Nylon Tarpaulin
- K : Neoprene Cloth

Max. Ambient Temperature

J	60℃
K	※ 110℃

※ The Max. Ambient Temperature of Gaiters Only

7 Special Option

- Blank : Standard Type
- XC16 : Copper-Free

8 Applicable Auto Switch

- (Band mounted type)
- Blank : without Switch
- W5 : Reed Switch(Lead wire of 0.5m)
- W5L : Reed Switch(Lead wire of 3m)

9 Number of Switches

- Blank : 2 pcs.
- S : 1 pc.
- N : (n) pcs.

PART No. of Mounting Bracket

Bore Size(mm)	$\phi 20$	$\phi 25$	$\phi 32$	$\phi 40$
※Axial foot	TCM-L020B	TCM-L032B	TCM-L040B	
Flange	TCM-F020B	TCM-F032B	TCM-F040B	
Single Clevis	TCM-C020B	TCM-C032B	TCM-C040B	
Double Clevis	TCM-D020B	TCM-D032B	TCM-D040B	
Trunnion(With nut)	TCM-T020B	TCM-T032B	TCM-T040B	

※ 2 pcs. Required Per Cylinder

PART No. of Auto Switch Mounting Band

Auto Switch Model	Bore Size(mm)			
	$\phi 20$	$\phi 25$	$\phi 32$	$\phi 40$
W5	TBM2-020	TBM2-025	TBM2-032	TBM2-040

ACP

UACP

AX

AS

AM

AL
ALX

UARD

UAQ

AJ

AG

UAG

ADM

ADR

AMR

UAMR

AST

W~

Series AX

Model

Bore Size (mm)	φ20	φ25	φ32	φ40
Type	Air Cylinder			
Cushion	Rubber Cushion, Air Cushion			
Piping Method	1/8 Rc(PT)	1/8 Rc(PT)	1/8 Rc(PT)	1/4 Rc(PT)

Specifications

Action	Double Acting Single Rod
Fluid	Air
Proof Pressure	15kgf/cm ² {1.5MkPa}
Max. Operating Pressure	9.9kgf/cm ² {1.0MPa}
Min. Operating Pressure	0.5kgf/cm ² {0.05MPa}
Ambient and Fluid Temperature	5~60 °C
Lubrication	None (Non-Lube)
Thread Tolerance	KS 2 Class
Stroke Tolerance	$^{+1.4}_0$ mm

Piston Speed (Rubber Cushion)

Bore Size (mm)	φ20	φ25	φ32	φ40
Piston Speed	50~750 mm/sec			
Allowable Kinetic Energy(kgf-cm)	2.7	4	6.5	12

Auto Switch Specifications

Mounting	Lead Wire Entry	Reed Switch
Band Mounting Type	Grommet	W5

Bore Size-Standard Stroke

(Unit : mm)

Bore Size	※ Standard Stroke	※ Long Stroke	Production Max. Stroke
φ20	25, 50, 75, 100, 125, 150, 200, 250, 300	400	500
φ25		450	
φ32		450	
φ40		500	

※ A long stroke applies to the foot type and the rod side flange type.

Boss-Cut Type

Boss for the head cover bracket is eliminated and the total length of the cylinder is shortened.

Compared to The Total Length of Cylinder

(Compared to The Basic Type)

φ 20	φ 25	φ 32	φ 40
▲ 13	▲ 13	▲ 13	▲ 16

Mounting

- Boss-Cut Basic Type(BZ) ● Boss-Cut Flange Type(FZ)
- Boss-Cut Trunnion Type(UZ)

Mounting and Accessovies

Accessories Mounting	Standard			Option		
	Mounting Nut	Rod End Nut	Clevis Pin	Single Knuckle Joint	Double Knuckle Joint	Boot
Basic Type	● (1pc.)	●	—	●	●	●
Axial Foot Type	● (2)	●	—	●	●	●
Rod Side Flange Type	● (1)	●	—	●	●	●
Head Side Flange Type	● (1)	●	—	●	●	●
Integrated Clevis Type	—	●	—	●	●	●
Single Clevis Type	—	●	—	●	●	●
Double Clevis Type	—	●	●	●	●	●
Head Side Trunnion Type	● (1)	●	—	●	●	●
Rod Side Trunnion Type	● (1)	●	—	●	●	●
Boss-Cut Basic Type	● (1)	●	—	●	●	●
Boss-Cut Flange Type	● (1)	●	—	●	●	●
Boss-Cut Trunnion Type	● (1)	●	—	●	●	●
Note					With pin	

Weight Table

(kgf)

Bore Size(mm)		φ 20	φ 25	φ 32	φ 40
Basic Weight	Basic Type	0.14	0.21	0.28	0.56
	Axial Foot Type	0.29	0.37	0.44	0.83
	Flange Type	0.20	0.30	0.37	0.68
	Integrated Clevis Type	0.12	0.19	0.27	0.52
	Single Clevis Type	0.18	0.25	0.32	0.65
	Double Clevis Type	0.19	0.27	0.33	0.69
	Trunnion Type	0.18	0.28	0.34	0.66
	Boss-Cut basic Type	0.13	0.19	0.26	0.53
	Boss-Cut flange Type	0.19	0.28	0.35	0.65
Boss-Cut trunnion Type	0.17	0.26	0.32	0.63	
Additional weight for each 50 of stroke		0.04	0.06	0.08	0.13
Mounting bracket	Single Knuckle Joint	0.06	0.06	0.06	0.23
	Single Knuckle Joint	0.07	0.07	0.07	0.20

Calculation Example: AXL32-100

- Basic weight : 0.44 (Foot type, φ 32)
 - Additional weight : 0.08/50 stroke
 - Cylinder stroke: 100 stroke
- $$0.44 + 0.08 \times 100/50 = 0.06\text{kgf}$$

Series AX

Boss - Cut Type

AX ○ Z (Bore Size) — (Stroke) (Boot)



Specifications

Action	Double Acting Single Rod
Bore Size (mm)	φ 20, φ 25, φ 32, φ 40
Max. Operating Pressure	9.9kgf/cm ² (1.0MPa)
Min. Operating Pressure	1.8kgf/cm ² (0.18MPa)
Piston Speed	0.5~300 mm/sec
Cushion	Rubber cushion (standard)
Piping Method	Screwed type
Mounting	Basic Type, Rod Side Flange Type, Head Side Flange Type, Rod Side Trunnion Type.

※ Auto Switch Available.

With Air Cushion

AX (Mounting) (Bore Size) — (Stroke) A (Boot)

With Air Cushion ●



Specifications

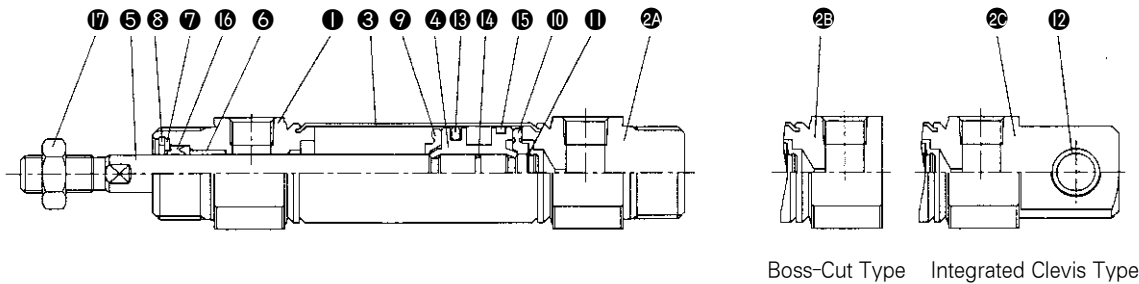
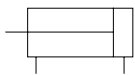
Action	Double Acting Single Rod
Bore Size(mm)	φ 20, φ 25, φ 32, φ 40
Max. Operating Pressure	9.9kgf/cm ² (1.0MPa)
Min. Operating Pressure	0.5kgf/cm ² (0.05MPa)
Cushion	Air Cushion
Piping Method	Screwed Type
Piston Speed	50~1,000 mm/sec
Mounting	Basic Type, Axial Foot Type, Rod Side Flange Type, Head Side Flange Type, Single Clevis Type, Double Clevis Type, Head Side Trunnion Type, Rod Side Trunnion Type, Integrated Clevis Type, Boss-Cut Type.

※ Auto Switch Available.

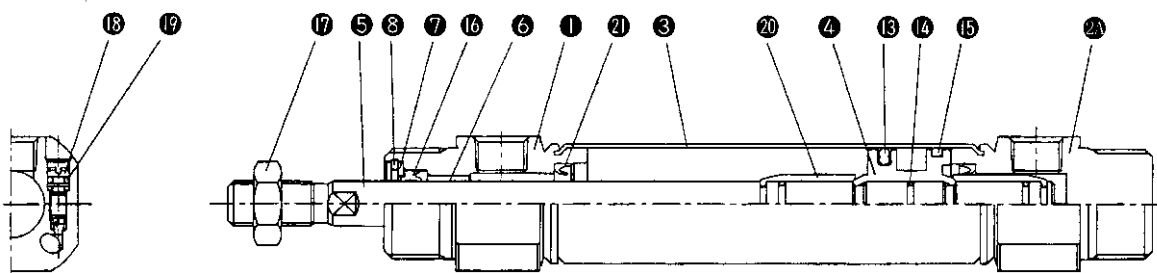
Cushion Mechanism

Bore size (mm)	Effective Cushion Length(mm)	Cushion Effective Orifice(cm ²)	Allowable Kinetic Energy(kgf-cm)
φ 20	11.0	2.09	5.5
φ 25	11.0	3.30	8.0
φ 32	11.0	5.86	13
φ 40	11.8	9.08	24

Construction/Parts List



With Air Cushion



Parts List

No.	Description	Material	Note
1	Rod Cover	Aluminum Alloy	White Alumite
2A	Head Cover A	Aluminum Alloy	White Alumite (Standard type)
2B	Head Cover B	Aluminum Alloy	White Alumite (Boss-cut type)
2C	Head Cover C	Aluminum Alloy	White Alumite (Integrated clevis type)
3	Cylinder Tube	Stainless Steel	
4	Piston	Aluminum Alloy	Chromate
5	Piston Rod	Carbon Steel	Hard Chrome plated
6	Bush	Lead Bronze Casting	
7	Packing Retainer	Rolled Steel	Nickel plated
8	Retaining Pin	Carbon Steel	Nickel plated
9	Damper A	Urethane	
10	Damper B	Urethane	
11	Stopper Ring	Carbon Steel	

No.	Description	Material	Note
12	Clevis Bush	Lead Bronze Casting	
13	Piston Packing	NBR	
14	Piston Gasket	NBR	
15	Wearing	Resin	
17	Rod Nut	Nickel Plated	
18	Cushion Value Gasket	NBR	
19	Cushion Ring		
20	Cushion Packing	NBR	

Spare Parts/Packing List

• With Rubber Cushion/With Air Cushion						
No.	Description	Material	Bore Size(mm)			
			φ 20	φ 25	φ 32	φ 40
16	Rod Packing	NBR	PDU-8Z	PDU-10Z	PDU-12LZ	PDU-14LZ

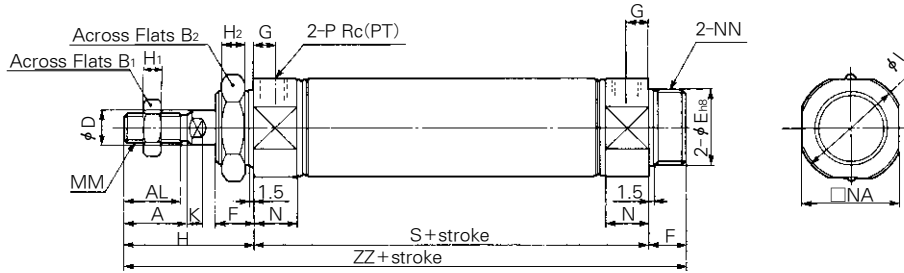
- ACP
- UACP
- AX**
- AS
- AM
- AL
- ALX
- UARD
- UAQ
- AJ
- AG
- UAG
- ADM
- ADR
- AMR
- UAMR
- AST
- W~

Series AX

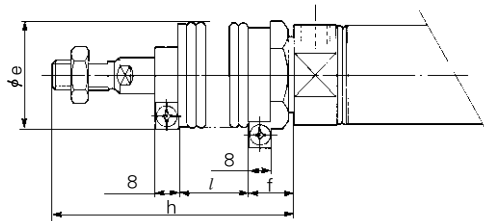
Basic Type (B)

AXB Bore Size Stroke

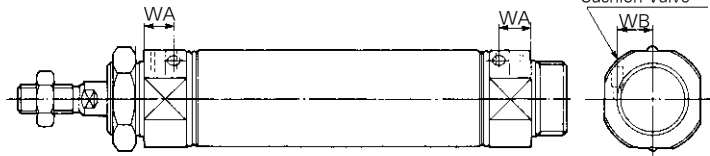
Standard Type



Rod Boot



With Air Cushion



Boss-Cut Type



(Unit : mm)

Bore Size	Stroke Range	A	AL	B ₁	B ₂	D	E	F	G	H	H ₁	H ₂	I	K	MM	N	NA	NN	P	S	ZZ
φ 20	~300	18	15.5	13	26	8	20 ⁰ _{-0.033}	13	8	41	5	8	27	5	M8×1.25	15	24	M20×1.5	1/8	62	116
φ 25	~300	22	19.5	17	32	10	26 ⁰ _{-0.033}	13	8	45	6	8	33	5.5	M10×1.25	15	30	M26×1.5	1/8	62	120
φ 32	~300	22	19.5	17	32	12	26 ⁰ _{-0.033}	13	8	45	6	8	37.5	5.5	M10×1.25	15	34.5	M26×1.5	1/8	64	122
φ 40	~300	24	21	22	41	14	32 ⁰ _{-0.039}	16	11	50	8	10	46.5	7	M14×1.5	21.5	42.5	M32×2	1/4	88	154

With Boot

(Unit : mm)

Bore Size	e	f	h							l						
			1~50	51~100	101~150	151~200	201~300	301~400	401~500	1~50	51~100	101~150	151~200	201~300	301~400	401~500
φ 20	30	16	68	81	93	106	131	156	—	12.5	25	37.5	50	75	100	—
φ 25	30	16	72	85	97	110	135	160	185	12.5	25	37.5	50	75	100	125
φ 32	30	16	72	85	97	110	135	160	185	12.5	25	37.5	50	75	100	125
φ 40	40	18	77	90	102	115	140	165	190	12.5	25	37.5	50	75	100	125

Boss-Cut Type

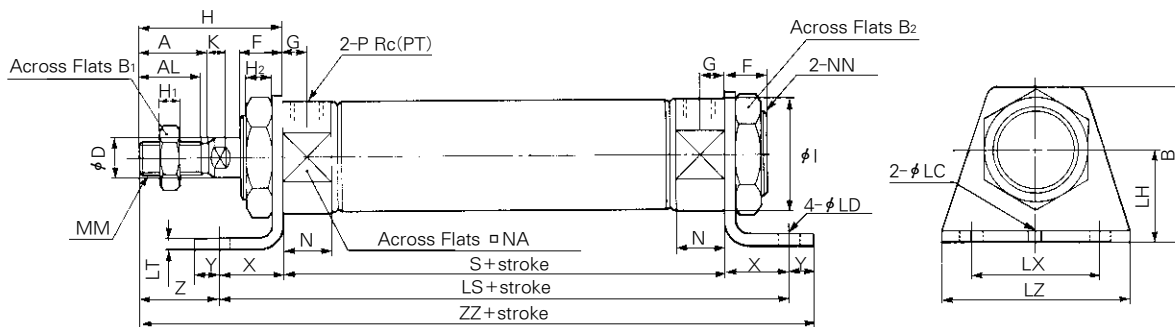
Bore Size	ZZ
φ 20	103
φ 25	107
φ 32	109
φ 40	138

With Air Cushion

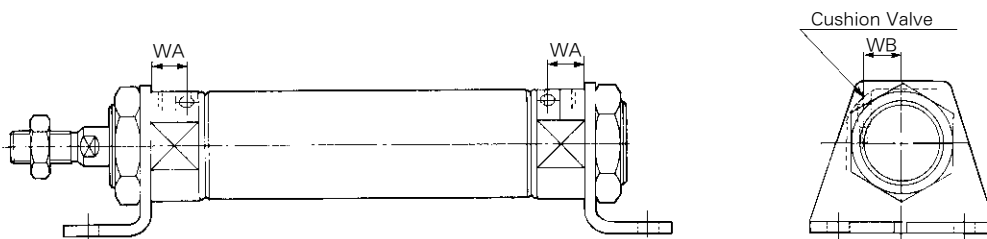
Bore Size	WA	WB
φ 20	11.5	8.5
φ 25	11.5	10
φ 32	11.5	11.5
φ 40	14.5	15

Axial Foot Type(L)

AXL Bore Size Stroke



With Air Cushion



(Unit : mm)

Bore Size	Stroke Range	A	AL	B	B ₁	B ₂	D	F	G	H	H ₁	H ₂	I	K	LC	LD	LH	LS	LT	LX	LZ	MM	N	NA	NN	P	S	X	Y	Z	ZZ
φ 20	~400	18	15.5	40	13	26	8	13	8	41	5	8	27	5	4	6.8	25	102	3.2	40	55	M8×1.25	15	24	M20×1.5	1/8	62	20	8	21	131
φ 25	~450	22	19.5	47	17	32	10	13	8	45	6	8	33	5.5	4	6.8	28	102	3.2	40	55	M10×1.25	15	30	M26×1.5	1/8	62	20	8	25	135
φ 32	~450	22	19.5	47	17	32	12	13	8	45	6	8	37.5	5.5	4	6.8	28	104	3.2	40	55	M10×1.25	15	34.5	M26×1.5	1/8	64	20	8	25	137
φ 40	~500	24	21	54	22	41	14	16	11	50	8	10	46.5	7	4	7	30	134	3.2	55	75	M14×1.5	21.5	42.5	M32×2	1/4	88	23	10	27	171

With Air Cushion

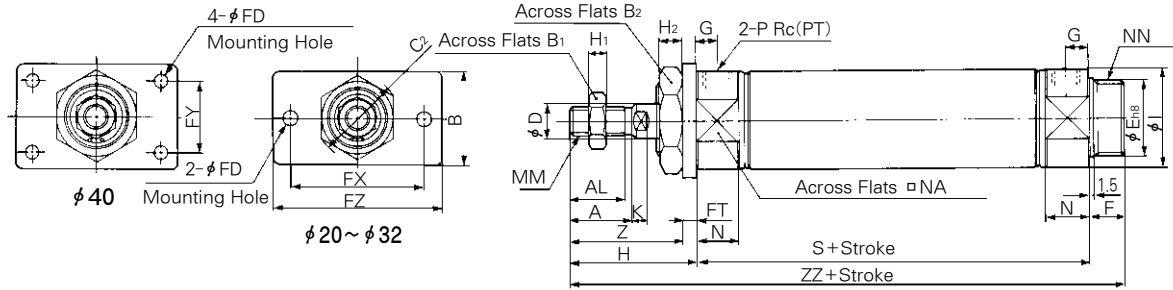
Bore Size	WA	WB
φ 20	11.5	8.5
φ 25	11.5	10
φ 32	11.5	11.5
φ 40	14.5	15

- ACP
- UACP
- AX**
- AS
- AM
- AL
- ALX
- UARD
- UAQ
- AJ
- AG
- UAG
- ADM
- ADR
- AMR
- UAMR
- AST
- W~

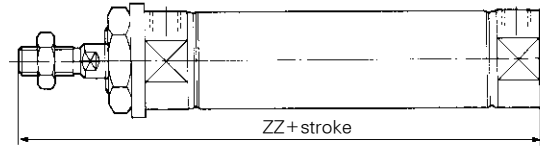
Series AX

Rod Side Flange Type (F)

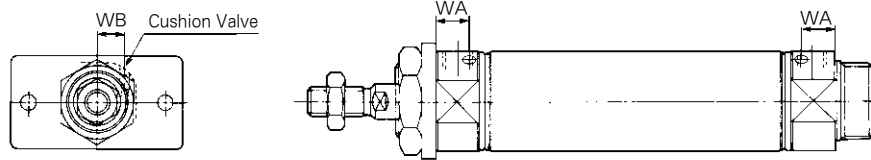
AXF Bore Size Stroke



Boss-Cut Type



With Air Cushion



(Unit : mm)

Bore Size	Stroke Range	A	AL	B	B ₁	B ₂	C ₂	D	E	F	FD	FT	FX	FY	FZ	G	H	H ₁	H ₂	I	K	MM
φ20	~400	18	15.5	34	13	26	30	8	20 ⁰ _{-0.033}	13	7	4	60	—	75	8	41	5	8	27	5	M8×1.25
φ25	~450	22	19.5	40	17	32	37	10	26 ⁰ _{-0.033}	13	7	4	60	—	75	8	45	6	8	33	5.5	M10×1.25
φ32	~450	22	19.5	40	17	32	37	12	26 ⁰ _{-0.033}	13	7	4	60	—	75	8	45	6	8	37.5	5.5	M10×1.25
φ40	~500	24	21	52	22	41	47.3	14	32 ⁰ _{-0.039}	16	7	5	66	36	82	11	50	8	10	46.5	7	M14×1.5

(Unit : mm)

Bore Size	N	NA	NN	P	S	Z	ZZ
φ20	15	24	M20×1.5	1/8	62	37	116
φ25	15	30	M26×1.5	1/8	62	41	120
φ32	15	34.5	M26×1.5	1/8	64	41	122
φ40	21.5	42.5	M32×2	1/4	88	45	154

Boss-Cut Type

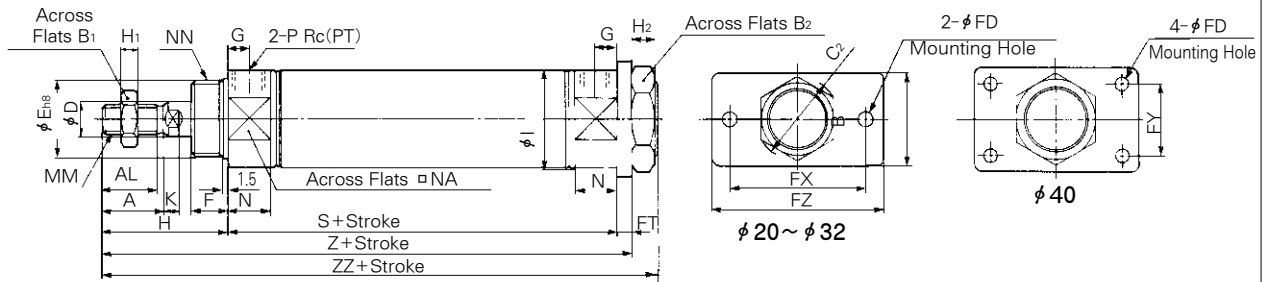
Bore Size	ZZ
φ20	103
φ25	107
φ32	109
φ40	138

With Air Cushion

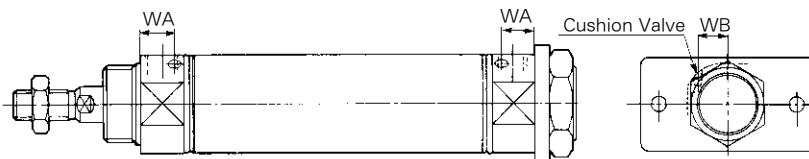
Bore Size	WA	WB
φ20	11.5	8.5
φ25	11.5	10
φ32	11.5	11.5
φ40	14	15

Head Side Flange Type (G)

AXG Bore Size Stroke



With Air Cushion



(Unit : mm)

Bore Size	Stroke Range	A	AL	B	B ₁	B ₂	C ₂	D	E	F	FD	FT	FX	FY	FZ	G	H	H ₁	H ₂	I
φ 20	~300	18	15.5	34	13	26	30	8	20 ⁰ _{-0.033}	13	7	4	60	-	75	8	41	5	8	27
φ 25	~300	22	19.5	40	17	32	37	10	26 ⁰ _{-0.033}	13	7	4	60	-	75	8	45	6	8	33
φ 32	~300	22	19.5	40	17	32	37	12	26 ⁰ _{-0.033}	13	7	4	60	-	75	8	45	6	8	37.5
φ 40	~300	24	21	52	22	41	47.3	14	32 ⁰ _{-0.039}	16	7	5	66	36	82	11	50	8	10	46.5

(Unit : mm)

Bore Size	K	MM	N	NA	NN	P	S	Z	ZZ
φ 20	5	M8×1.25	15	24	M20×1.5	1/8	62	107	116
φ 25	5.5	M10×1.25	15	30	M26×1.5	1/8	62	111	120
φ 32	5.5	M10×1.25	15	34.5	M26×1.5	1/8	64	113	122
φ 40	7	M14×1.5	21.5	42.5	M32×2	1/4	88	143	154

With Air Cushion

Bore Size	WA	WB
φ 20	11.5	8.5
φ 25	11.5	10
φ 32	11.5	11.5
φ 40	14.5	15

ACP

UACP

AX

AS

AM

AL
ALX

UARD

UAQ

AJ

AG

UAG

ADM

ADR

AMR

UAMR

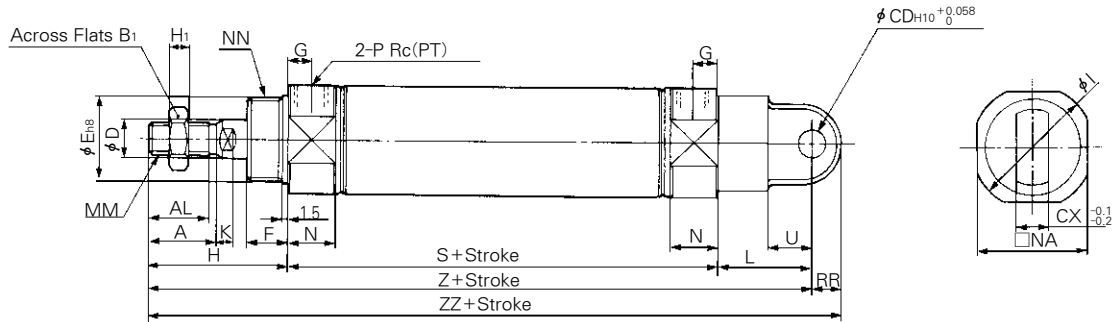
AST

W~

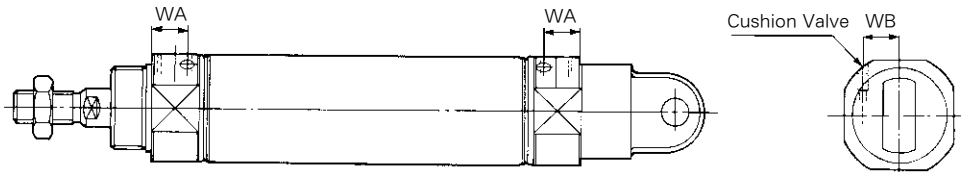
Series AX

Single Clevis Type (C)

AXC Bore Size Stroke



With Air Cushion



(Unit : mm)

Bore Size	Stroke Range	A	AL	B ₁	CD	CX	D	E	F	G	H	H ₁	I	K	L	MM
φ 20	~300	18	15.5	13	9	10	8	20 ⁰ _{-0.033}	13	8	41	5	27	5	30	M8×1.25
φ 25	~300	22	19.5	17	9	10	10	26 ⁰ _{-0.033}	13	8	45	6	33	5.5	30	M10×1.25
φ 32	~300	22	19.5	17	9	10	12	26 ⁰ _{-0.033}	13	8	45	6	37.5	5.5	30	M10×1.25
φ 40	~300	24	21	22	10	15	14	32 ⁰ _{-0.039}	16	11	50	8	46.5	7	39	M14×1.5

(Unit : mm)

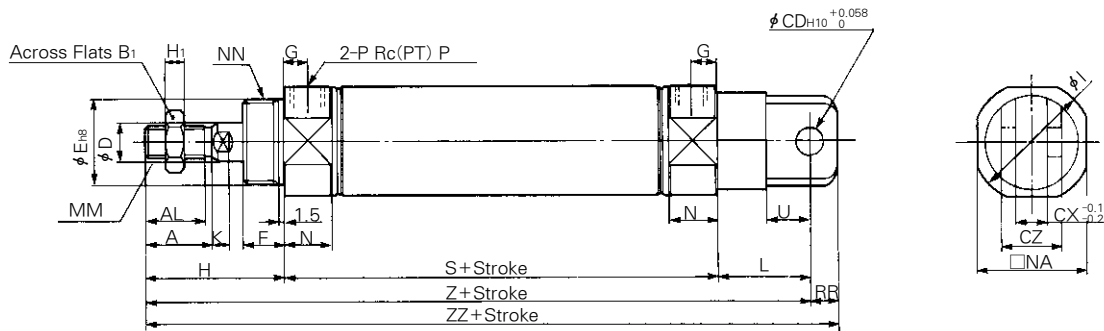
Bore Size	N	NA	NN	P	RR	S	U	Z	ZZ
φ 20	15	24	M20×1.5	1/8	9	62	14	133	142
φ 25	15	30	M26×1.5	1/8	9	62	14	137	146
φ 32	15	34.5	M26×1.5	1/8	9	64	14	139	148
φ 40	21.5	42.5	M32×2	1/4	11	88	18	177	188

With Air Cushion

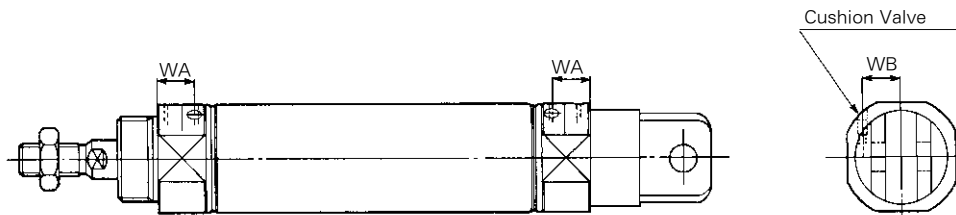
Bore Size	WA	WB
φ 20	11.5	8.5
φ 25	11.5	10
φ 32	11.5	11.5
φ 40	14.5	15

Double Clevis Type (D)

AXD Bore Size Stroke



With Air Cushion



(Unit : mm)

Bore Size	Stroke Range	A	AL	B ₁	CD	CX	CZ	D	E	F	G	H	H ₁	I	K	L	MM	N	NA	NN	P	RR	S	U	Z	ZZ
φ 20	~300	18	15.5	13	9	10	19	8	20 ⁰ _{-0.033}	13	8	41	5	27	5	30	M8×1.25	15	24	M20×1.5	1/8	9	62	14	133	142
φ 25	~300	22	19.5	17	9	10	19	10	26 ⁰ _{-0.033}	13	8	45	6	33	5.5	30	M10×1.25	15	30	M26×1.5	1/8	9	62	14	137	146
φ 32	~300	22	19.5	17	9	10	19	12	26 ⁰ _{-0.033}	13	8	45	6	37.5	5.5	30	M10×1.25	15	34.5	M26×1.5	1/8	9	64	14	139	148
φ 40	~300	24	21	22	10	15	30	14	32 ⁰ _{-0.039}	16	11	50	8	46.5	7	39	M14×1.5	21.5	42.5	M32×2	1/4	11	88	18	177	188

With Air Cushion

Bore Size	WA	WB
φ 20	11.5	8.5
φ 25	11.5	10
φ 32	11.5	11.5
φ 40	14.5	15

ACP

UACP

AX

AS

AM

AL
ALX

UARD

UAQ

AJ

AG

UAG

ADM

ADR

AMR

UAMR

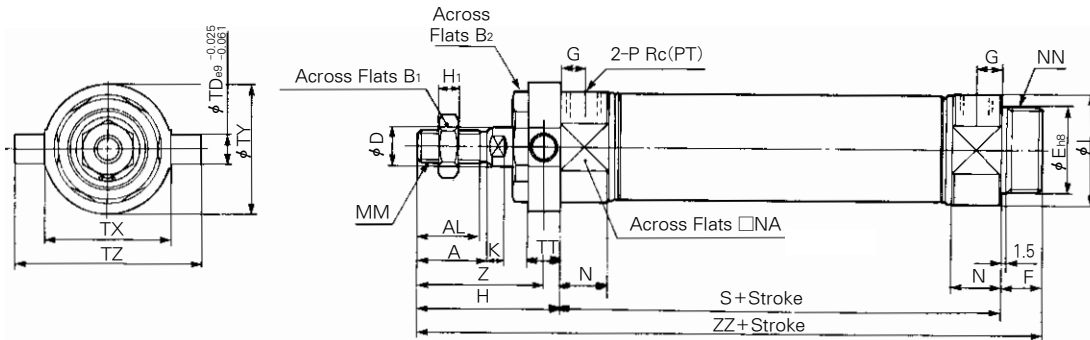
AST

W~

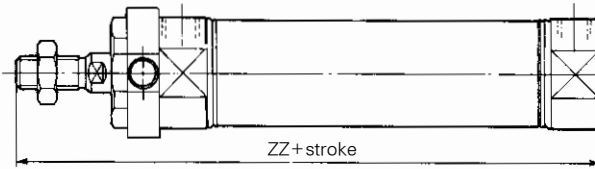
Series AX

Rod Side Trunnion Type (U)

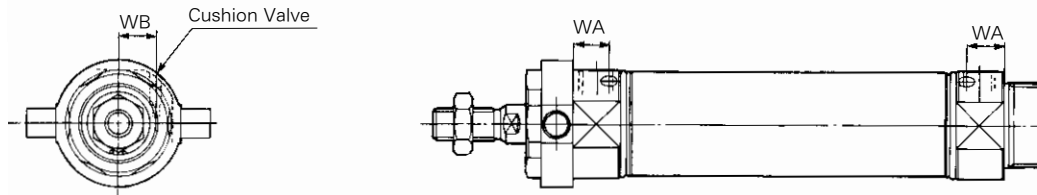
AXU Bore Size Stroke



Boss-Cut Type



With Air Cushion



(Unit : mm)

Bore Size	Stroke Range	A	AL	B ₁	B ₂	D	E	F	G	H	H ₁	I	K	MM	N	NA	NN	P
φ 20	~300	18	15.5	13	26	8	20 ⁰ _{-0.033}	13	8	41	5	27	5	M8×1.25	15	24	M20×1.5	1/8
φ 25	~300	22	19.5	17	32	10	26 ⁰ _{-0.033}	13	8	45	6	33	5.5	M10×1.25	15	30	M26×1.5	1/8
φ 32	~300	22	19.5	17	32	12	26 ⁰ _{-0.033}	13	8	45	6	37.5	5.5	M10×1.25	15	34.5	M26×1.5	1/8
φ 40	~300	24	21	22	41	14	32 ⁰ _{-0.039}	16	11	50	8	46.5	7	M14×1.5	21.5	42.5	M32×2	1/4

(Unit : mm)

Bore Size	S	TD	TT	TX	TY	TZ	Z	ZZ
φ 20	62	8	10	32	32	52	36	116
φ 25	62	9	10	40	40	60	40	120
φ 32	64	9	10	40	40	60	40	122
φ 40	88	10	11	53	53	77	44.5	154

Boss-Cut Type

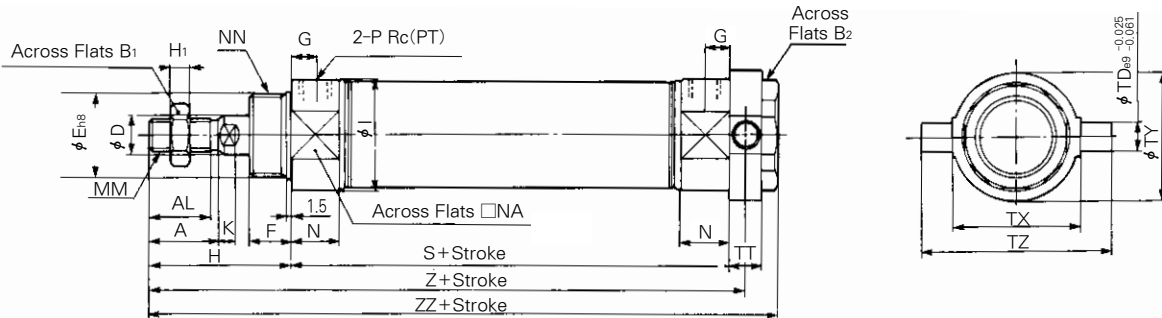
Bore Size	ZZ
φ 20	103
φ 25	107
φ 32	109
φ 40	138

With Air Cushion

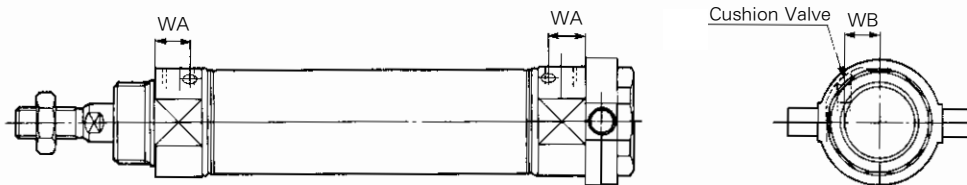
Bore Size	WA	WB
φ 20	11.5	8.5
φ 25	11.5	10
φ 32	11.5	11.5
φ 40	14.5	15

Head Side Trunnion Type (T)

AXT Bore Size Stroke



With Air Cushion



(Unit : mm)

Bore Size	Stroke Range	A	AL	B ₁	B ₂	D	E	F	G	H	H ₁	I	K	MM	N	NA	NN	P
φ 20	~300	18	15.5	13	26	8	20 ⁰ _{-0.033}	13	8	41	5	27	5	M8×1.25	15	24	M20×1.5	1/8
φ 25	~300	22	19.5	17	32	10	26 ⁰ _{-0.033}	13	8	45	6	33	5.5	M10×1.25	15	30	M26×1.5	1/8
φ 32	~300	22	19.5	17	32	12	26 ⁰ _{-0.033}	13	8	45	6	37.5	5.5	M10×1.25	15	34.5	M26×1.5	1/8
φ 40	~300	24	21	22	41	14	32 ⁰ _{-0.039}	16	11	50	8	46.5	7	M14×1.5	21.5	42.5	M32×2	1/4

(Unit : mm)

Bore Size	S	TD	TT	TX	TY	TZ	Z	ZZ
φ 20	62	8	10	32	32	52	108	118
φ 25	62	9	10	40	40	60	112	122
φ 32	64	9	10	40	40	60	114	124
φ 40	88	10	11	53	53	77	143.5	154

With Air Cushion

Bore Size	WA	WB
φ 20	11.5	8.5
φ 25	11.5	10
φ 32	11.5	11.5
φ 40	14.5	15

ACP

UACP

AX

AS

AM

AL
ALX

UARD

UAQ

AJ

AG

UAG

ADM

ADR

AMR

UAMR

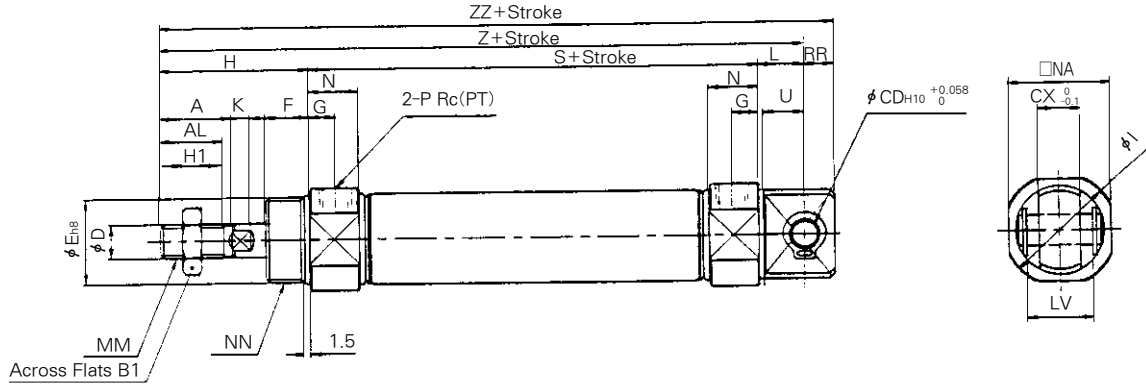
AST

W~

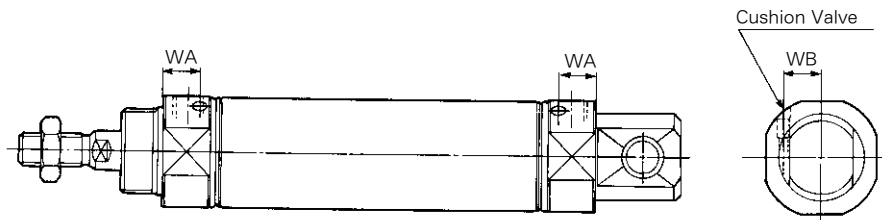
Series AX

Integrated Clevis Type (E)

AXE Bore Size Stroke



With Air Cushion



(Unit : mm)

Bore Size	Stroke Range	A	AL	B ₁	CD	CX	D	E	F	G	H	H ₁	I	K	L	MM	N	NA	NN
φ 20	~300	18	15.5	13	8	12	8	20 ⁰ _{-0.033}	13	8	41	5	27	5	12	M8×1.25	15	24	M20×1.5
φ 25	~300	22	19.5	17	8	12	10	26 ⁰ _{-0.033}	13	8	45	6	33	5.5	12	M10×1.25	15	30	M26×1.5
φ 32	~300	22	19.5	17	10	20	12	26 ⁰ _{-0.033}	13	8	45	6	37.5	5.5	15	M10×1.25	15	34.5	M26×1.5
φ 40	~300	24	21	22	10	20	14	32 ⁰ _{-0.039}	16	11	50	8	46.5	7	15	M14×1.5	21.5	42.5	M32×2

(Unit : mm)

Bore Size	P	RR	S	U	Z	ZZ	LV
φ 20	1/8	9	62	11.5	115	124	18.4
φ 25	1/8	9	62	11.5	119	128	18.4
φ 32	1/8	12	64	14.5	124	136	28
φ 40	1/4	12	88	14.5	153	165	28

With Air Cushion

Bore Size	WA	WB
φ 20	11.5	8.5
φ 25	11.5	10
φ 32	11.5	11.5
φ 40	14.5	15