

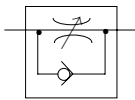
# Series SP4000

## Speed Controller Inline Type

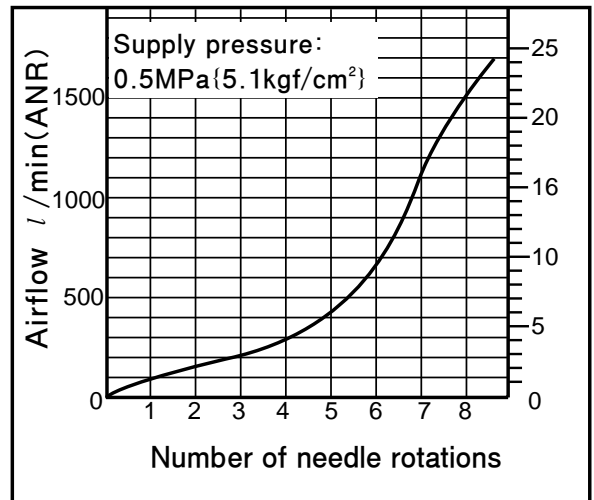


- COMPACT SIZE SAVES SPACE
- SPEED SHALL BE ACCURATELY CONTROLLED EVEN AT LOW SPEED
- CONSTANT SPEED EASILY SET
- RETAINER PREVENTS ACCIDENTAL LOSS OF NEEDLE

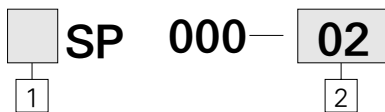
Symbol



### Flow Characteristics



### How to Order



**1 Series**  
Blank : PT  
U : NPT

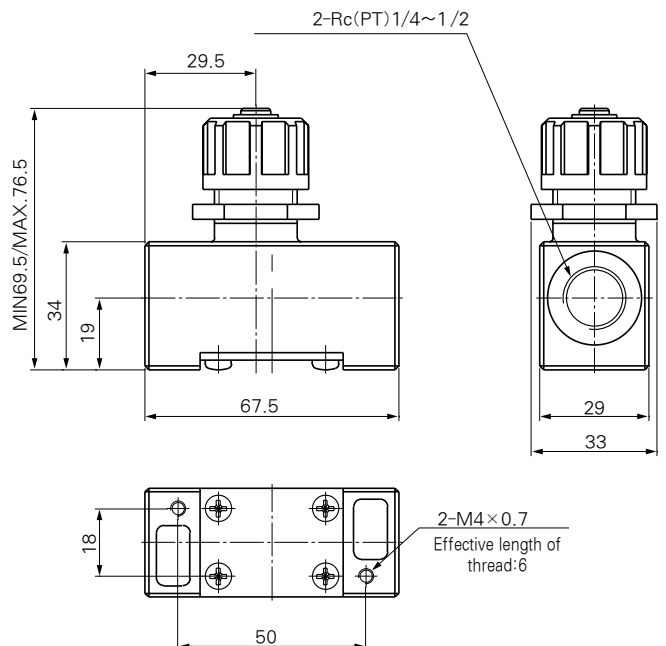
**2 Port Size**  
02 : Rc(PT) 1/4  
03 : Rc(PT) 3/8  
04 : Rc(PT) 1/2

### Specifications

Proof pressure	15 kgf/cm <sup>2</sup> {1.47MPa}
Max. operating pressure	9.9 kgf/cm <sup>2</sup> {0.97MPa}
Min. operating pressure	0.5 kgf/cm <sup>2</sup> {0.05MPa}
Ambient and fluid temperature	5~60°C
Number of needle rotations	8 turns

### Dimensions

(Unit:mm)



SQ

SP

SPM

ST

SN

SF

USF

TPC