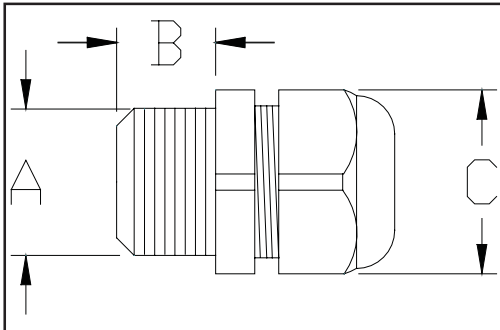


CABLE GLANDS	STANDARD BRASS CABLE GLANDS	NPT THREADING
-------------------------	--	--------------------------



MENCOM CABLE GLANDS ARE EASY TO USE AND PROVIDE A GOOD STRAIN RELIEF AND WATER TIGHT SEAL FOR ROUND CABLES. THE CABLE GLANDS ARE RATED TO IP 68 (COMPARABLE TO NEMA6). THE GLANDS HAVE A WIDE CLAMPING RANGE.

NPT STYLE CABLE GLANDS ARE NOT SUPPLIED WITH NUTS. NUTS CAN BE ORDERED SEPARATELY.

BRASS CABLE GLANDS

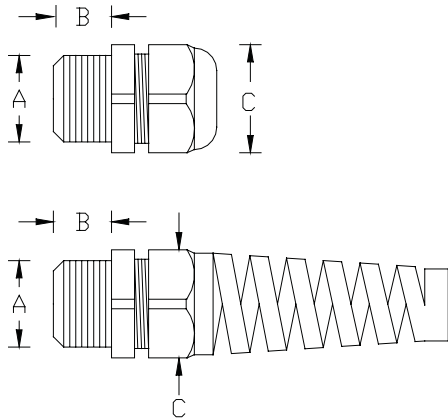
PART NUMBER	DIAMETER RANGE	"A" MOUNTING HOLE CLEARANCE	"B" THREAD LENGTH	"C" WRENCH FLATS	THREAD TYPE
MCG-3/8R	.079-.236	N/A**	.591	.669	3/8" NPT
MCG-3/8	.157-.315	N/A**	.591	.669	3/8" NPT
MCG-1/2R	.197-.354	N/A**	.512	.866	1/2" NPT
MCG-1/2	.236-.472	N/A**	.512	.866	1/2" NPT
MCG-3/4R	.354-.630	N/A**	.512	1.181	3/4" NPT
MCG-3/4	.512-.709	N/A**	.512	1.181	3/4" NPT
MCG-1.0R	.472-.787	1.350	.704	1.575	1" NPT
MCG-1.0	.709-.984	1.350	.704	1.575	1" NPT

** THESE NPT THREADED BRASS CABLE GLANDS ARE ONLY DESIGNED TO BE THREADED INTO A FEMALE NPT OPENING.

MATERIAL:

BODY: NICKEL PLATED BRASS
 INSERT: POLYAMIDE
 SEAL: NEOPRENE

CABLE GLANDS	STANDARD PLASTIC CABLE GLANDS	NPT THREADING
-------------------------	--	--------------------------



MENCOM CABLE GLANDS ARE EASY TO USE AND PROVIDE A GOOD STRAIN RELIEF AND WATER TIGHT SEAL FOR ROUND CABLES. THE CABLE GLANDS ARE RATED TO IP 68 - 5 BAR (COMPARABLE TO NEMA6). THE GLANDS HAVE A WIDE CLAMPING RANGE.

NPT STYLE CABLE GLANDS ARE NOT SUPPLIED WITH NUTS. NUTS CAN BE ORDERED SEPARATELY, SEE PAGE 190.

PLASTIC CABLE GLANDS

STANDARD STYLE PART NUMBER		DIAMETER RANGE	"A" MOUNTING HOLE CLEARANCE	"B" THREAD LENGTH	"C" WRENCH FLATS	THREAD TYPE
GRAY	BLACK					
PCG-3/8R	PCG-3/8R-B	.118-.275	.675	.610	.866	3/8" NPT
PCG-3/8	PCG-3/8-B	.197-.394	.675	.610	.866	3/8" NPT
PCG-1/2X	PCG-1/2X-B	.197-.354	.825	.354	.945	1/2" NPT
PCG-1/2Y	PCG-1/2Y-B	.236-.472	.825	.354	.945	1/2" NPT
PCG-1/2R	PCG-1/2R-B	.276-.472	.825	.591	1.06	1/2" NPT
PCG-1/2	PCG-1/2-B	.394-.551	.825	.591	1.06	1/2" NPT
PCG-1/2E	PCG-1/2E-B	.512-.708	.825	.433	1.30	1/2" NPT
PCG-3/4R	PCG-3/4R-B	.354-.630	1.050	.591	1.30	3/4" NPT
PCG-3/4	PCG-3/4-B	.512-.708	1.050	.591	1.30	3/4" NPT
PCG-1.0R	PCG-1.0R-B	.472-.787	1.350	.704	1.65	1" NPT
PCG-1.0	PCG-1.0-B	.709-.984	1.350	.704	1.65	1" NPT
PCG-1.25R	PCG-1.25R-B	.787-1.02	1.650	.735	2.09	1.25" NPT
PCG-1.25	PCG-1.25-B	.866-1.26	1.650	.735	2.09	1.25" NPT

FOR THE FLEX STYLE VERSION, ADD "S" TO THE PART NUMBER (e.g. PCG-1/2R-BS)
FLEX STYLES ARE NOT AVAILABLE ON THE PCG-1.0 OR 1.25 VERSIONS

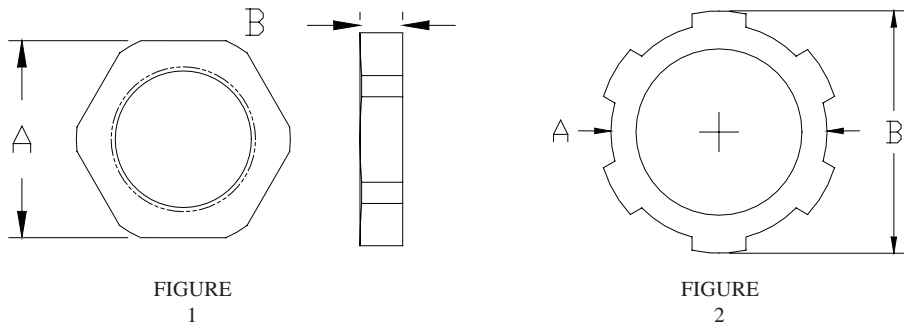
MATERIAL:

BODY: POLYAMIDE
SEAL: NEOPRENE

CABLE GLANDS & ADAPTERS

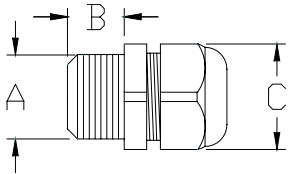
CABLE GLAND NUTS	PLASTIC & METAL	NPT THREADING
-----------------------------	--------------------------------	--------------------------

PLASTIC NUTS					
PART NUMBER		A	B	FIGURE	THREAD TYPE
GRAY	BLACK				
238PA	238PA/SW	22mm	5.0mm	1	3/8" NPT
212PA	212PA/SW	27mm	6.0mm	1	1/2" NPT
234PA	234PA/SW	36mm	7.0mm	1	3/4" NPT
210PA	210PA/SW	42mm	7.0mm	1	1" NPT
MATERIAL: POLYAMIDE					



METAL NUTS				
PART NUMBER	A	B	FIGURE	THREAD TYPE
214 M	0.688	.125	1	1/4" NPT
238 M	0.94	0.20	1	3/8" NPT
212 M	1.12	1.0	2	1/2" NPT
234 M	1.38	1.25	2	3/4" NPT
210 M	1.69	1.54	2	1.0" NPT
MATERIAL: STEEL ZINC PLATED				

CABLE GLANDS	STANDARD BRASS CABLE GLANDS	PG THREADING
-------------------------	--	-------------------------



MENCOM CABLE GLANDS ARE EASY TO USE AND PROVIDE A GOOD STRAIN RELIEF AND WATER TIGHT SEAL FOR ROUND CABLES. THE CABLE GLANDS ARE RATED TO IP 68 (COMPARABLE TO NEMA6). THE GLANDS HAVE A WIDE CLAMPING RANGE.

AN O-RING AND LOCKING NUT ARE SUPPLIED ON ALL PG THREADED METAL CABLE GLANDS.

PART NUMBER	DIAMETER RANGE	"A" MOUNTING HOLE CLEARANCE	"B" THREAD LENGTH	"C" WRENCH FLATS	THREAD TYPE
MCG-7R	.079-.196	.500	.197	.551	PG 7
MCG-7	.118-.255	.500	.197	.551	PG 7
MCG-9R	.079-.236	.600	.236	.669	PG 9
MCG-9	.157-.315	.600	.236	.669	PG 9
MCG-11R	.118-.275	.733	.236	.787	PG 11
MCG-11	.197-.393	.733	.236	.787	PG 11
MCG-13.5R	.197-.354	.825	.256	.866	PG 13.5
MCG-13.5	.236-.472	.825	.256	.866	PG 13.5
MCG-16R	.276-.472	.900	.256	.945	PG 16
MCG-16	.394-.551	.900	.256	.945	PG 16
MCG-21R	.354-.630	1.125	.276	1.181	PG 21
MCG-21	.512-.708	1.125	.276	1.181	PG 21
MCG-29R	.472-.787	1.475	.315	1.575	PG 29
MCG-29	.709-.984	1.475	.315	1.575	PG 29
MCG-36R	.787-1.02	1.850	.354	1.968	PG 36
MCG-36	.945-1.26	1.850	.354	1.968	PG 36
MCG-42R	.984-1.22	2.125	.394	2.244	PG 42
MCG-42	1.18-1.50	2.125	.394	2.244	PG 42
MCG-48R	1.14-1.37	2.340	.394	2.520	PG 48
MCG-48	1.34-1.73	2.340	.394	2.520	PG 48

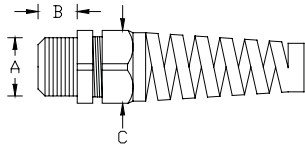
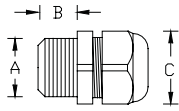
LONGER THREAD LENGTH (0.590") IS AVAILABLE, ADD "L" TO THE END OF THE PART NUMBER (e.g. MCG-21L)

MATERIAL:

BODY: NICKEL PLATED BRASS
 INSERT: POLYAMIDE
 SEAL: NEOPRENE

CABLE GLANDS & ADAPTERS

CABLE GLANDS	STANDARD PLASTIC CABLE GLANDS	PG THREADING
-------------------------	--	-------------------------



MENCOM CABLE GLANDS ARE EASY TO USE AND PROVIDE A GOOD STRAIN RELIEF AND WATER TIGHT SEAL FOR ROUND CABLES. THE CABLE GLANDS ARE RATED TO IP 68 - 5 BAR (COMPARABLE TO NEMA6). THE GLANDS HAVE A WIDE CLAMPING RANGE.

A LOCKING NUT IS SUPPLIED ON ALL PG THREADED PARTS. O-RINGS ARE NOT REQUIRED TO MAINTAIN A SEAL ON SIZES PG 7 TO PG21, BUT ARE SUPPLIED ON SIZES PG29 AND HIGHER.

STANDARD STYLE PART NUMBER		DIAMETER RANGE	"A" MOUNTING HOLE CLEARANCE	"B" THREAD LENGTH	"C" WRENCH FLATS	THREAD TYPE
GRAY	BLACK					
PCG-07R	PCG-07R-B	.079-.196	.500	.315	.591	PG 7
PCG-07	PCG-07-B	.118-.255	.500	.315	.591	PG 7
PCG-09R	PCG-09R-B	.079-.236	.600	.315	.748	PG 9
PCG-09	PCG-09-B	.157-.315	.600	.315	.748	PG 9
PCG-11R	PCG-11R-B	.118-.275	.733	.315	.866	PG 11
PCG-11	PCG-11-B	.197-.393	.733	.315	.866	PG 11
PCG-13.5R	PCG-13.5R-B	.197-.354	.825	.354	.945	PG 13.5
PCG-13.5	PCG-13.5-B	.236-.472	.825	.354	.945	PG 13.5
PCG-16R	PCG-16R-B	.276-.472	.900	.394	1.063	PG 16
PCG-16	PCG-16-B	.394-.551	.900	.394	1.063	PG 16
PCG-21R	PCG-21R-B	.354-.630	1.125	.433	1.300	PG 21
PCG-21	PCG-21-B	.512-.708	1.125	.433	1.300	PG 21
PCG-29R	PCG-29R-B	.472-.787	1.475	.433	1.654	PG 29
PCG-29	PCG-29-B	.709-.984	1.475	.433	1.654	PG 29
PCG-36R	PCG-36R-B	.787-1.02	1.870	.512	2.087	PG 36
PCG-36	PCG-36-B	.866-1.26	1.870	.512	2.087	PG 36
PCG-42R	PCG-42R-B	.984-1.22	2.145	.512	2.362	PG 42
PCG-42	PCG-42-B	1.18-1.50	2.145	.512	2.362	PG 42
PCG-48R	PCG-48R-B	1.14-1.38	2.350	.552	2.559	PG 48
PCG-48	PCG-48-B	1.34-1.73	2.350	.552	2.559	PG 48

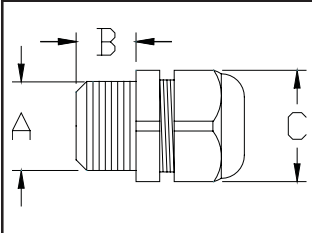
FOR THE FLEX STYLE VERSION, ADD "S" TO THE PART NUMBER (e.g. PCG-16R-BS)
FLEX STYLES ARE NOT AVAILABLE ON THE PCG-29 TO PCG-48 VERSIONS

MATERIAL:

BODY: POLYAMIDE
SEAL: NEOPRENE

CABLE GLANDS & ADAPTERS

CABLE GLANDS	EMI SHIELDING BRASS CABLE GLANDS	PG THREADING
-------------------------	---	-------------------------



MENCOM EMI CABLE GLANDS PROVIDE AN EASY WAY TO GROUND THE SHIELD FROM A SHIELDED CABLE TO THE BODY OF THE METAL CABLE GLAND. SEAL RATING: IP 68.
A SPECIAL CUTTING LOCKING NUT AND O-RING ARE SUPPLIED ON EMI SHIELDING CABLE GLANDS. THE NUT WILL CUT THROUGH PAINTED SURFACES TO ALLOW THE GLAND TO GROUND TO THE METAL PANEL.

PART NUMBER	DIAMETER RANGE	"A" MOUNTING HOLE CLEARANCE	"B" THREAD LENGTH	"C" WRENCH FLATS	THREAD TYPE
MCGB-07R	.079-.196	.500	.197	.551	PG 7
MCGB-07	.118-.255	.500	.197	.551	PG 7
MCGB-09R	.079-.236	.600	.236	.669	PG 9
MCGB-09	.157-.315	.600	.236	.669	PG 9
MCGB-11R	.118-.275	.733	.236	.787	PG 11
MCGB-11	.197-.393	.733	.236	.787	PG 11
MCGB-13.5R	.197-.354	.825	.256	.866	PG 13.5
MCGB-13.5	.236-.472	.825	.256	.866	PG 13.5
MCGB-16R	.276-.472	.900	.256	.945	PG 16
MCGB-16	.394-.551	.900	.256	.945	PG 16
MCGB-21R	.354-.630	1.125	.276	1.181	PG 21
MCGB-21	.512-.708	1.125	.276	1.181	PG 21
MCGB-29R	.472-.787	1.475	.315	1.575	PG 29
MCGB-29	.709-.984	1.475	.315	1.575	PG 29
MCGB-36R	.787-1.02	1.850	.354	1.968	PG 36
MCGB-36	.945-1.26	1.850	.354	1.968	PG 36
MCGB-42R	.984-1.22	2.125	.394	2.244	PG 42
MCGB-42	1.18-1.50	2.125	.394	2.244	PG 42
MCGB-48R	1.14-1.37	2.340	.394	2.520	PG 48
MCGB-48	1.34-1.73	2.340	.394	2.520	PG 48

MATERIAL:

BODY:
NICKEL PLATED BRASS

INSERT:
POLYAMIDE

SEAL:
NEOPRENE



CABLE GLANDS	CLAMPING CABLE GLANDS	PG THREADING
-------------------------	----------------------------------	-------------------------

CRSS SERIES

Nickel plated brass cable gland with self centering double saddle clamps. The seal is achieved with a neoprene sealing ring (with multiple perforations to accommodate a wide range of diameters). Brass nuts and O-Rings for these must be ordered separately. Protection to IP 55.



PART NUMBER	DIAMETER RANGE	THREAD TYPE
CRSS-09	0.255" - 0.374"	PG 9
CRSS-11	0.295" - 0.452"	PG 11
CRSS-13.5	0.334" - 0.531"	PG 13.5
CRSS-16	0.433" - 0.610"	PG 16
CRSS-21	0.472" - 0.846"	PG 21
CRSS-29	0.748" - 1.161"	PG 29
CRSS-36	0.906" - 1.437"	PG 36
CRSS-42	1.181" - 1.673"	PG 42
CRSS-48	1.280" - 1.830"	PG 48

PART NUMBER	DIAMETER RANGE	THREAD TYPE
CRSX-09	0.256" - 0.373"	PG 9
CRSX-11	0.295" - 0.452"	PG 11
CRSX-13.5	0.335" - 0.551"	PG 13.5
CRSX-16	0.433" - 0.669"	PG 16
CRSX-21	0.511" - 0.866"	PG 21
CRSX-29	0.708" - 1.18"	PG 29
CRSX-36	0.945" - 1.41"	PG 36
CRSX-42	1.26" - 1.81"	PG 42
CRSX-48	1.58" - 1.88"	PG 48

CRSX SERIES

(SAME AS ABOVE BUT WITHOUT SEAL)

Nickel plated brass cable gland with self centering double saddle clamps. Brass nuts and O-Rings for these must be ordered separately.



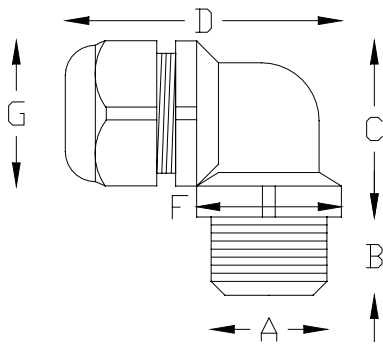
CRT SERIES

Nickel plated brass cable gland with multiple perforations, seal is made of nitrile rubber, per DIN 46320.



PART NUMBER	DIAMETER RANGE O. D. (mm)	THREAD TYPE
CRT-09	5 - 10	PG 9
CRT-11	7 - 12	PG 11
CRT-13.5	7 - 12	PG 13.5
CRT-16	7 - 15	PG 16
CRT-21	10 - 19	PG 21
CRT-29	18 - 27	PG 29
CRT-36	24 - 33	PG 36
CRT-42	30 - 39	PG 42
CRT-48	36 - 45	PG 48

CABLE GLANDS	PLASTIC RIGHT ANGLE CABLE GLANDS	PG THREADING
-------------------------	---	-------------------------



MENCOM CABLE GLANDS ARE EASY TO USE AND PROVIDE A GOOD STRAIN RELIEF AND WATER TIGHT SEAL FOR ROUND CABLES. THE CABLE GLANDS ARE RATED TO IP 68 - 5 BAR (COMPARABLE TO NEMA6). THE GLANDS HAVE A WIDE CLAMPING RANGE.

A LOCKING NUT IS SUPPLIED ON ALL PG THREADED PARTS. O-RINGS ARE NOT REQUIRED TO MAINTAIN A SEAL ON SIZES PG 7 TO PG21, BUT ARE SUPPLIED ON SIZES PG29 AND HIGHER.

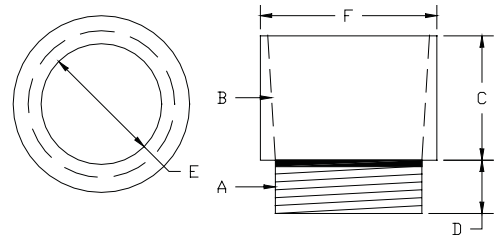
STANDARD STYLE PART NUMBER	DIAMETER RANGE	"A" MOUNTING HOLE CLEARANCE	"B" THREAD LENGTH	"C" GLAND LENGTH	"D" GLAND WIDTH	"F" WRENCH FLATS	"G" WRENCH FLATS	THREAD TYPE
PCGA-07R	0.079 - 0.236	0.500	0.315	1.024	1.516	0.591	0.748	PG 7
PCGA-07	0.157 - 0.315	0.500	0.315	1.024	1.516	0.591	0.748	PG 7
PCGA-09R	0.118 - 0.276	0.600	0.315	1.142	1.850	0.748	0.866	PG 9
PCGA-09	0.197 - 0.394	0.600	0.315	1.142	1.850	0.748	0.866	PG 9
PCGA-11R	0.197 - 0.354	0.740	0.315	1.244	2.008	0.866	0.945	PG 11
PCGA-11	0.276 - 0.472	0.740	0.315	1.244	2.008	0.866	0.945	PG 11
PCGA-13.5R	0.276 - 0.472	0.825	0.354	1.339	2.154	0.945	1.063	PG 13.5
PCGA-13.5	0.394 - 0.551	0.825	0.354	1.339	2.154	0.945	1.063	PG 13.5
PCGA-16	0.315 - 0.669	0.900	0.394	1.504	2.421	1.063	1.142	PG 16
PCGA-21	0.472 - 0.827	1.125	0.433	1.799	2.795	1.299	1.417	PG 21
PCGA-29	0.630 - 1.102	1.475	0.433	2.244	3.346	1.654	1.811	PG 29

MATERIAL:

BODY: POLYAMIDE
SEAL: NEOPRENE

CABLE GLANDS	ADAPTERS	PG THREADING
-------------------------	-----------------	-------------------------

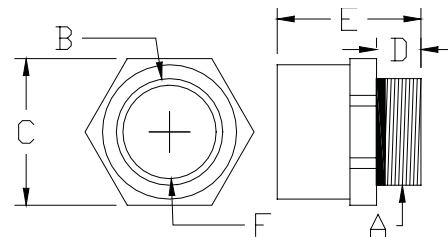
PG TO NPT ADAPTER						
PART NUMBER	A	B	C (mm)	D (mm)	E (mm)	F (mm)
PG11-3/8	PG 11	3/8" NPT	14.0	6.0	13.6	19.9
PG11-1/2	PG 11	1/2" NPT	18	6.0	13.6	24.0
PG13.5-1/2	PG 13.5	1/2" NPT	18	6.5	16.9	24.0
PG16-1/2	PG 16	1/2" NPT	18	6.5	17.0	24.0
PG21-3/4	PG 21	3/4" NPT	18	7.0	23.2	30.0
PG29-1	PG 29	1.0" NPT	18	8.0	28.9	38.9
PG36-1.25	PG 36	1.25" NPT	20	9.0	37.0	50.1
PG42-1.5	PG 42	1.5" NPT	18	10	42.5	56.9



MATERIALS:

BODY: BRASS, NICKEL PLATED
O-RING: BUNA-N

PG TO METRIC ADAPTER					
PART NUMBER	A EXTERNAL	B INTERNAL	C (mm)	D (mm)	E (mm)
PG07-M12	PG 7	M12 X 1.5	14.0	5.0	15
PG09-M16	PG 09	M16 X 1.5	19.0	6.0	16
PG11-M16	PG 11	M16 X 1.5	22.0	6.0	16
PG13.5-M20	PG 13.5	M20 X 1.5	24.0	6.5	17.5
PG16-M20	PG 16	M20 X 1.5	27.0	6.5	17.5
PG16-M25	PG 16	M25 X 1.5	30.0	6.5	18.5
PG21-M25	PG 21	M25 X 1.5	32.0	7.0	19
PG21-M32	PG 21	M32 X 1.5	36.0	7.0	20
PG29-M40	PG 29	M40 X 1.5	43.0	8.0	21
PG36-M50	PG 36	M50 X 1.5	55.0	9.0	23
PG42-M63	PG 42	M63 X 1.5	65.0	10	25

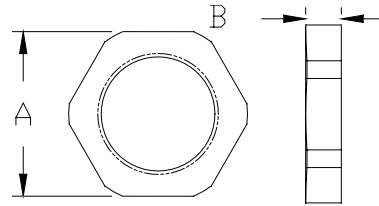


MATERIALS:

BODY: BRASS, NICKEL PLATED
O-RING: BUNA-N

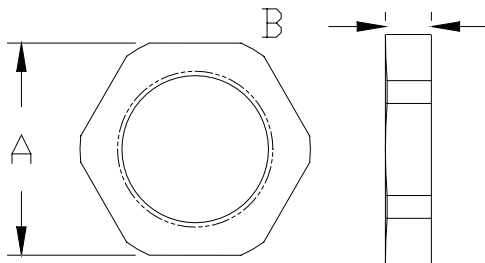
CABLE GLANDS	NUTS	PG THREADING
-------------------------	-------------	-------------------------

PLASTIC NUTS				
PART NUMBER		A	B	THREAD TYPE
GRAY	BLACK			
207PA	207PA/SW	19mm	5mm	PG 7
209PA	209PA/SW	22mm	5mm	PG 9
211PA	211PA/SW	24mm	5mm	PG 11
213PA	213PA/SW	27mm	6mm	PG 13.5
216PA	216PA/SW	30mm	6mm	PG 16
221PA	221PA/SW	36mm	7mm	PG 21
229PA	229PA/SW	46mm	7mm	PG 29
236PA	236PA/SW	60mm	8mm	PG 36
242PA	242PA/SW	65mm	8mm	PG 42
248PA	248PA/SW	70mm	8mm	PG 48

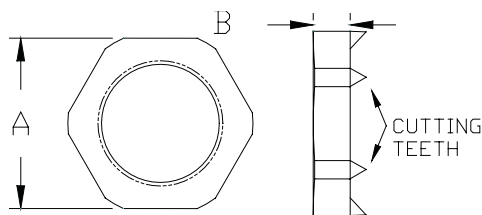


MATERIAL: POLYAMIDE

STANDARD METAL NUT



CUTTING METAL NUT

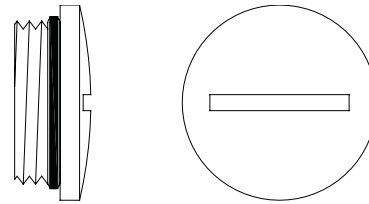


METAL NUTS				
PART NUMBER		A	B	THREAD TYPE
STANDARD	CUTTING			
207M	207MPOT	19mm	5mm	PG 7
209M	209MPOT	22mm	5mm	PG 9
211M	211MPOT	24mm	5mm	PG 11
213M	213MPOT	27mm	6mm	PG 13.5
216M	216MPOT	30mm	6mm	PG 16
221M	221MPOT	36mm	7mm	PG 21
229M	229MPOT	46mm	7mm	PG 29
236M	236MPOT	60mm	8mm	PG 36
242M	242MPOT	65mm	8mm	PG 42
248M	248MPOT	70mm	8mm	PG 48

MATERIAL: NICKEL PLATED BRASS

CABLE GLANDS	PLUGS	PG THREADING
-------------------------	--------------	-------------------------

PLUGS				
PART NUMBER		DIAMETER	THREAD LENGTH	THREAD TYPE
GRAY	BLACK			
CRB-07PA	CRB-07PA/SW	16mm	4.5mm	PG 7
CRB-09PA	CRB-09PA/SW	19mm	4.5mm	PG 9
CRB-11PA	CRB-11PA/SW	22mm	4.5mm	PG 11
CRB-13.5PA	CRB-13.5PA/SW	24mm	6.0mm	PG 13.5
CRB-16PA	CRB-16PA/SW	26mm	6.0mm	PG 16
CRB-21PA	CRB-21PA/SW	32mm	6.0mm	PG 21
CRB-29PA	CRB-29PA/SW	39mm	8.0mm	PG 29
CRB-36PA	CRB-36PA/SW	50mm	9.0mm	PG 36



METAL PLUGS			
PART NUMBER	DIAMETER	THREAD LENGTH	THREAD TYPE
CRB-07	16mm	4.5mm	PG 7
CRB-09	19mm	4.5mm	PG 9
CRB-11	22mm	4.5mm	PG 11
CRB-13.5	24mm	6.0mm	PG 13.5
CRB-16	26mm	6.0mm	PG 16
CRB-21	32mm	6.0mm	PG 21
CRB-29	39mm	8.0mm	PG 29
CRB-36	50mm	9.0mm	PG 36

MATERIAL:

METAL - NICKEL PLATED BRASS
PLASTIC - POLYSTYRENE

BLIND PLUGS

This insert is used to block a PCG or MCG style cable gland that is not currently in use, but is installed onto a panel. The Blind Plug will enable the cable gland to seal to IP 68. The Blind Plug is NOT for use in the EX style cable glands.

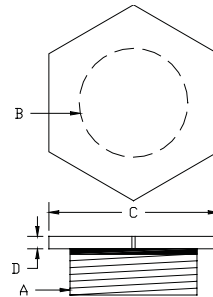


MATERIAL: POLYAMIDE

BLIND PLUGS	
PART NUMBER	THREAD SIZE
PG07-BP	PG 7
PG09-BP	PG 9
PG11-BP	PG 11
PG13.5-BP	PG 13.5
PG16-BP	PG 16
PG21-BP	PG 21
PG29-BP	PG 29
PG36-BP	PG 36
PG42-BP	PG 42
PG48-BP	PG 48

CABLE GLANDS	REDUCERS & ENLARGERS	PG THREADING
-------------------------	-------------------------------------	-------------------------

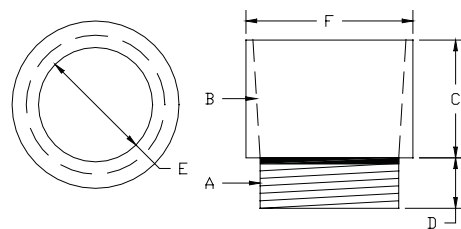
PG THREADED REDUCERS				
PART #	A	B	C	D
CEC-07	PG 9	PG 7	0.71"	0.12"
CEC-07X	PG 11	PG 7	0.79"	0.12"
CEC-07Y	PG 13.5	PG 7	0.94	0.12
CEC-07Z	PG 16	PG 7	0.94	0.12
CEC-09	PG 11	PG 9	0.79"	0.12"
CEC-09X	PG 13.5	PG 9	0.94"	0.12"
CEC-09Y	PG 16	PG 9	0.94	0.12
CEC-11	PG 13.5	PG 11	0.94"	0.12"
CEC-11X	PG 16	PG 11	0.94"	0.12"
CEC-13.5	PG 16	PG 13.5	0.94"	0.12"
CEC-13.5X	PG 21	PG 13.5	1.26"	0.12"
CEC-16	PG 21	PG 16	1.26"	0.12"
CEC-16X	PG 29	PG 16	1.61"	0.14"
CEC-21	PG 29	PG 21	1.61"	0.14"
CEC-29	PG 36	PG 29	1.97"	0.14"



MATERIALS:

BODY: BRASS,
NICKEL PLATED
O-RING: BUNA-N

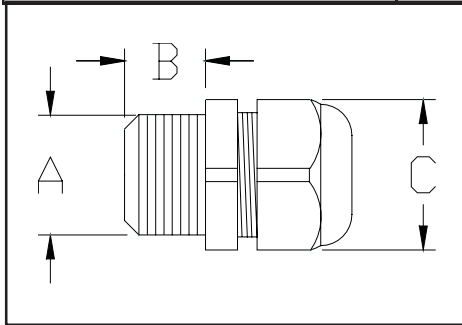
PG THREADED ENLARGERS						
PART #	A	B	C	D	E	F
CRC-07	PG 7	PG 9	10.4	6.0	6.0	17.0
CRC-07X	PG 7	PG 11	10.4	6.0	6.0	20.0
CRC-09	PG 9	PG 11	10.4	6.0	11.9	20.0
CRC-09X	PG 9	PG 13.5	10.4	6.0	11.9	22.0
CRC-09Y	PG 9	PG 16	12.6	6.0	11.9	24.0
CRC-11	PG 11	PG 13.5	11.4	6.0	15.0	22.0
CRC-11X	PG 11	PG 16	12.6	6.0	15.0	24.0
CRC-13.5	PG 13.5	PG 16	12.6	6.0	17.0	24.0
CRC-16	PG 16	PG 21	14.5	6.0	18.5	30.0
CRC-16X	PG 16	PG 29	16.0	6.0	18.5	39.0
CRC-21	PG 21	PG 29	16.0	7.0	23.9	39.0
CRC-29	PG 29	PG 36	18.3	8.0	32.0	50.0
CRC-36	PG 36	PG 42	22.1	9.0	42.0	57.0



MATERIALS:

BODY: BRASS,
NICKEL PLATED
O-RING: BUNA-N

CABLE GLANDS	STANDARD BRASS CABLE GLANDS	METRIC THREADING
-------------------------	--	-----------------------------



MENCOM CABLE GLANDS ARE EASY TO USE AND PROVIDE A GOOD STRAIN RELIEF AND WATER TIGHT SEAL FOR ROUND CABLES. THE CABLE GLANDS ARE RATED TO IP 68 (COMPARABLE TO NEMA6). THE GLANDS HAVE A WIDE CLAMPING RANGE. AN O-RING IS NOT REQUIRED TO OBTAIN THE IP 68 SEAL FOR GLANDS UP TO M40.

A LOCKING NUT AND O-RING ARE SUPPLIED ON ALL METRIC THREADED METAL CABLE GLANDS, EXCEPT WHERE NOTED.

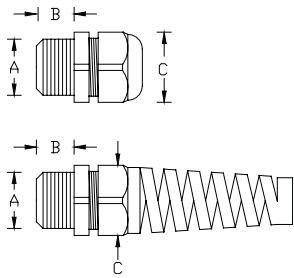
STANDARD STYLE PART NUMBER	DIAMETER RANGE	"A" MOUNTING HOLE CLEARANCE	"B" THREAD LENGTH	"C" WRENCH FLATS	THREAD TYPE
MCG-M06*	2mm - 3.2mm	6.5mm	6mm	8mm	M 6 x 1.0
MCG-M08*	3mm - 5mm	8.5mm	4mm	11mm	M 8 x 1.25
MCG-M12	2mm - 5mm	12.5mm	5mm	14mm	M12 x 1.5
MCG-M16	3mm - 9mm	16.5mm	5mm	17mm	M16 x 1.5
MCG-M20	5mm - 13mm	20.5mm	6mm	22mm	M20 x 1.5
MCG-M25	8mm - 16mm	25.5mm	7mm	27mm	M25 x 1.5
MCG-M32	12mm - 21mm	32.5mm	8mm	34mm	M32 x 1.5
MCG-M40	16mm - 27mm	40.5mm	8mm	43mm	M40 x 1.5
MCG-M50	21mm - 35mm	50.5mm	9mm	55mm	M50 x 1.5
MCG-M63	27mm - 48mm	63.5mm	10mm	65mm	M63 x 1.5

* MCG-M06 & MCG-M08 ARE NOT SUPPLIED WITH LOCKING NUTS

MATERIAL:

BODY: NICKEL PLATED BRASS
 INSERT: POLYAMIDE
 SEAL: NEOPRENE
 O-RINGS: BUNA-N

CABLE GLANDS	STANDARD PLASTIC CABLE GLANDS	METRIC THREADING
-------------------------	--	-----------------------------



MENCOM CABLE GLANDS ARE EASY TO USE AND PROVIDE A GOOD STRAIN RELIEF AND WATER TIGHT SEAL FOR ROUND CABLES. THE CABLE GLANDS ARE RATED TO IP 68 - 5 BAR (COMPARABLE TO NEMA6). THE GLANDS HAVE A WIDE CLAMPING RANGE.

A LOCKING NUT IS SUPPLIED ON ALL METRIC THREADED PARTS.
AN O-RING IS NOT NEEDED ON ANY SIZES SMALLER THAN M25.
AN O-RING IS SUPPLIED ON SIZE M32 AND LARGER.

STANDARD STYLE PART NUMBER		DIAMETER RANGE	"A" MOUNTING HOLE CLEARANCE	"B" THREAD LENGTH	"C" WRENCH FLATS	THREAD TYPE
GRAY	BLACK					
PCG-M12R	PCG-M12R-B	2mm - 5mm	12.5mm	8mm	15mm	M12 x 1.5
PCG-M12	PCG-M12-B	3mm - 6.5mm	12.5mm	8mm	15mm	M12 x 1.5
PCG-M16R	PCG-M16R-B	3mm - 7mm	16.5mm	8mm	22mm	M16 x 1.5
PCG-M16	PCG-M16-B	5mm - 10mm	16.5mm	8mm	22mm	M16 x 1.5
PCG-M20R	PCG-M20R-B	5mm - 9 mm	20.5mm	8mm	24mm	M20 x 1.5
PCG-M20	PCG-M20-B	10mm - 14mm	20.5mm	8mm	27mm	M20 x 1.5
PCG-M25R	PCG-M25R-B	9mm - 14mm	25.5mm	8mm	33mm	M25 x 1.5
PCG-M25	PCG-M25-B	13mm - 18mm	25.5mm	8mm	33mm	M25 x 1.5
PCG-M32R	PCG-M32R-B	12mm - 20mm	32.5mm	10mm	42mm	M32 x 1.5
PCG-M32	PCG-M32-B	18mm - 25mm	32.5mm	10mm	42mm	M32 x 1.5
PCG-M40R	PCG-M40R-B	20mm - 26mm	40.5mm	10mm	53mm	M40 x 1.5
PCG-M40	PCG-M40-B	22mm - 32mm	40.5mm	10mm	53mm	M40 x 1.5
PCG-M50R	PCG-M50R-B	25mm - 31mm	50.5mm	12mm	60mm	M50 x 1.5
PCG-M50	PCG-M50-B	30mm - 38mm	50.5mm	12mm	60mm	M50 x 1.5
PCG-M63R	PCG-M63R-B	29mm - 35mm	63.5mm	12mm	65mm	M63 x 1.5
PCG-M63	PCG-M63-B	34mm - 44mm	63.5mm	12mm	65mm	M63 x 1.5

FOR THE FLEX STYLE VERSION, ADD A "-S" SUFFIX (e.g. PCG-M25-BS) FLEX STYLES ARE NOT AVAILABLE ON PCG-M32 THROUGH PCG-M63

LONGER THREAD STYLES ARE AVAILABLE (15MM LONG FOR M16 - M32 AND 18MM LONG FOR M40 - M63)

ADD AN "L" AFTER THE P/N BUT BEFORE ANY "-B" (e.g. PCG-M32RL or PCG-M25L-B)

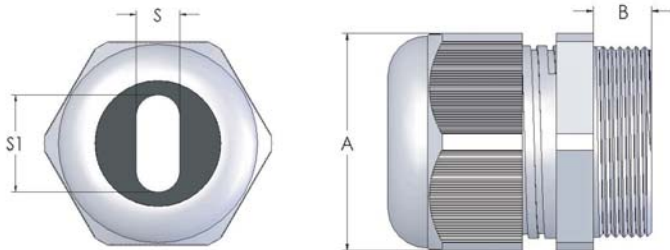
MATERIAL:

HOUSING: POLYAMIDE
GROMMET: NEOPRENE

CABLE GLANDS

CABLE GLANDS FOR FLAT & FESTOON CABLE

METRIC, PG & NPT THREADING



CABLE GLANDS FOR FLAT CABLE APPLICATIONS. OUR PLASTIC AND BRASS CABLE GLANDS ARE PERFECT FOR FLAT AND FESTOON CABLES. SEALING RATINGS UP TO IP66 CAN BE OBTAINED.

A LOCKING NUT IS SUPPLIED ON ALL METRIC AND PG THREADED PARTS. AN O-RING IS NOT NEEDED FOR THE PLASTIC STYLE CABLE GLANDS SMALLER THAN M32. O-RINGS ARE SUPPLIED ON M32 AND LARGER SIZES.

PLASTIC VERSION

PART NUMBERS		"A" WRENCH FLATS	"B" THREAD LENGTH	"S" DIM MAX	"S" DIM MIN	"S1" DIM MAX	"S1" DIM MIN	THREAD TYPE	MTG HOLE
GRAY	BLACK								
PFG-M20-12X5	PFG-M20-12X5-B	24mm	8mm	12mm	8mm	5mm	2mm	M20 x 1.5	20.5mm
PFG-M25-16.3X6	PFG-M25-16.3X6-B	29mm	8mm	16.3mm	10mm	6mm	2mm	M25 x 1.5	25.5mm
PFG-M32-20X9	PFG-M32-20X9-B	36mm	10mm	20mm	12mm	9mm	3mm	M32 x 1.5	32.5mm
PFG-M40-27X10	PFG-M40-27X10-B	46mm	10mm	27mm	19mm	10mm	3mm	M40 x 1.5	40.5mm
PFG-M50-34X13	PFG-M50-34X13-B	55mm	12mm	34mm	23mm	13mm	4mm	M50 x 1.5	50.5mm
PFG-M63-45X15	PFG-M63-45X15-B	68mm	12mm	45mm	32mm	15mm	6mm	M63 x 1.5	63.5mm
PFG-1/2-12X5	PFG-1/2-12X5-B	22mm	13mm	12mm	8mm	5mm	2mm	1/2-14 NPT	21.5mm
PFG-13.5-12X5	PFG-13.5-12X5-B	22mm	6.5mm	12mm	8mm	5mm	2mm	PG13.5	20.7mm

MATERIALS:

BODY: POLYAMIDE
GROMMET: TPE
O-RING: NBR

BRASS VERSION

PART NUMBERS	"A" WRENCH FLATS	"B" THREAD LENGTH	"S" DIM MAX	"S" DIM MIN	"S1" DIM MAX	"S1" DIM MIN	THREAD TYPE	MTG HOLE
MFG-M20-12X5	24mm	6mm	12mm	9mm	5mm	2mm	M20 x 1.5	20.5mm
MFG-M25-16.3X6	29mm	7mm	16.3mm	11mm	6mm	2mm	M25 x 1.5	25.5mm
MFG-M32-20X9	36mm	8mm	20mm	13mm	9mm	3mm	M32 x 1.5	32.5mm
MFG-M40-27X10	46mm	8mm	27mm	17mm	10mm	3mm	M40 x 1.5	40.5mm
MFG-M50-34X13	55mm	9mm	34mm	24mm	13mm	4mm	M50 x 1.5	50.5mm
MFG-M63-45X15	68mm	10mm	45mm	33mm	15mm	5mm	M63 x 1.5	63.5mm
MFG-1/2-12X5	22mm	13mm	12mm	9mm	5mm	2mm	1/2-14 NPT	21.5mm
MFG-13.5-12X5	22mm	6.5mm	12mm	9mm	5mm	2mm	PG13.5	20.7mm

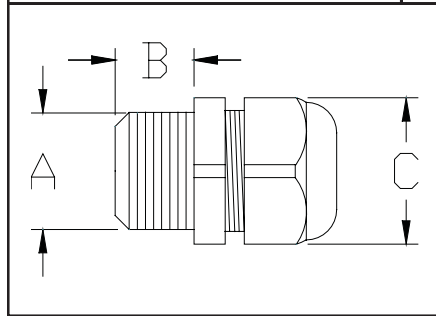
MATERIALS:

BODY: NICKEL PLATED BRASS
INSERT: POLYAMIDE
GROMMET: TPE
O-RING: NBR

SEALING FOR THESE CABLE GLANDS IS IP66 ONLY IF THE CABLE MATCHES THE SLOT DIMENSIONS EXACTLY. FOR CABLES THAT ARE LESS THAN THE "MAX" BUT MORE THAN THE "MIN", THEY ARE RATED TO IP54.

LONGER THREAD LENGTHS ARE AVAILABLE FOR SOME OF THESE CABLE GLANDS. PLEASE CONSULT FACTORY.

CABLE GLANDS	EMI SHIELDING CABLE GLANDS	METRIC THREADING
-------------------------	---------------------------------------	-----------------------------



MENCOM EMI CABLE GLANDS PROVIDE AN EASY WAY TO GROUND THE SHIELD FROM A SHIELDED CABLE TO THE BODY OF THE METAL CABLE GLAND.
 SEAL RATING: IP 68.
 A SPECIAL CUTTING LOCKING NUT AND O-RING ARE SUPPLIED ON EMI SHIELDING CABLE GLANDS.

STANDARD STYLE PART NUMBER	DIAMETER RANGE	"A" MOUNTING HOLE CLEARANCE	"B" THREAD LENGTH	"C" WRENCH FLATS	THREAD TYPE
MCGB-M12 *	2 - 5 mm	12.5mm	5mm	14mm	M12 x 1.5
MCGB-M12L	2 - 5 mm	12.5mm	10mm	14mm	M12 x 1.5
MCGB-M16 *	3 - 9 mm	16.5mm	5mm	17mm	M16 x 1.5
MCGB-M16L	3 - 9 mm	16.5mm	10mm	17mm	M16 x 1.5
MCGB-M20 *	5 - 13 mm	20.5mm	6mm	22mm	M20 x 1.5
MCGB-M20L	5 - 13 mm	20.5mm	10mm	22mm	M20 x 1.5
MCGB-M25	8 - 16 mm	25.5mm	7mm	27mm	M25 x 1.5
MCGB-M25L	8 - 16 mm	25.5mm	11mm	27mm	M25 x 1.5
MCGB-M32	12 - 21 mm	32.5mm	8mm	34mm	M32 x 1.5
MCGB-M32L	12 - 21 mm	32.5mm	13mm	34mm	M32 x 1.5
MCGB-M40	16 - 27 mm	40.5mm	8mm	43mm	M40 x 1.5
MCGB-M40L	16 - 27 mm	40.5mm	13mm	43mm	M40 x 1.5
MCGB-M50	21 - 35 mm	50.5mm	9mm	55mm	M50 x 1.5
MCGB-M50L	21 - 35 mm	50.5mm	14mm	55mm	M50 x 1.5
MCGB-M63	27 - 48 mm	63.5mm	10mm	65mm	M63 x 1.5

SPECIAL CUTTING LOCKING NUTS ARE SUPPLIED WITH ALL CABLE GLANDS LISTED OTHER THAN THOSE WITH AN *. THESE THREADS ARE TOO SHORT TO BE USED WITH CUTTING LOCKING NUTS.



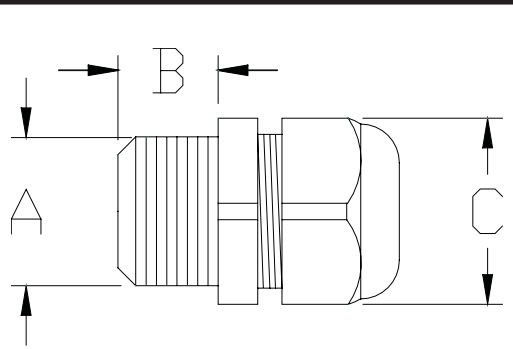
MATERIAL:

BODY: NICKEL PLATED BRASS
 INSERT: POLYAMIDE
 SEAL: NEOPRENE

CABLE GLANDS

EXPLOSION-PROOF BRASS CABLE GLANDS

METRIC THREADING



THESE EXPLOSION PROOF CABLE GLANDS ARE MADE OF NICKEL PLATED BRASS AND ARE FOR POTENTIALLY EXPLOSIVE AREAS ACCORDING TO EN 50014 AND EN 50019. TYPE OF PROTECTION EExd e II - INCREASED SAFETY. EXCELLENT STRAIN RELIEF, WIDE CLAMPING RANGE, TORSION PROTECTED PLASTIC INSERT THAT IS RESISTANT TO IMPACT AT COLD TEMPERATURES; NEOPRENE SEALING INSERT; BUNA-N O-RING SEAL. PERMANENT AMBIENT TEMPERATURE: -25°C TO +80°C. PROTECTION TYPE IP 68 ACCORDING TO EN 60529, E-GENERATION, CERTIFICATE OF CONFORMITY: DMT 99 ATEX E 016.

STANDARD STYLE PART NUMBER	DIAMETER RANGE	"A" MOUNTING HOLE CLEARANCE	"B" THREAD LENGTH	"C" WRENCH FLATS	THREAD TYPE
MCGEX-M12	3mm - 6.5mm	12.5mm	5mm	14mm	M12 x 1.5
MCGEX-M16	5mm - 9mm	16.5mm	5mm	17mm	M16 x 1.5
MCGEX-M20	6mm - 12mm	20.5mm	6mm	22mm	M20 x 1.5
MCGEX-M25	11mm - 16mm	25.5mm	7mm	27mm	M25 x 1.5
MCGEX-M32	14mm - 21mm	32.5mm	8mm	34mm	M32 x 1.5
MCGEX-M40	19mm - 27mm	40.5mm	8mm	43mm	M40 x 1.5
MCGEX-M50	24mm - 35mm	50.5mm	9mm	55mm	M50 x 1.5
MCGEX-M63	32mm - 42mm	63.5mm	10mm	65mm	M63 x 1.5

ATEX 100a

With a view toward further harmonization of the legal provisions in the European Union in respect to the use of equipment and protection systems in accordance with the regulations in areas subject to explosion hazards, the European Parliament and Council passed Directive 94/9/EC on the 23rd of March, 1994. This directive is also known as ATEX 100A. The period for implementing this guideline started on the 1st of March, 1996 and from the 1st of July, 2003 onwards, it will replace and supplement all directives on explosion protection applicable to date at the European level. The single market requires national regulations to be replaced by European Standards (EN).

The ATEX 100A governs the requirements for all (both electrical and non-electrical) equipment and protection systems which are intended for use in areas subject to explosion hazards. Monitoring, control and safety equipment for use outside areas subject to explosion hazards also fall within the provisions of this directive if they are necessary in view of explosion hazards for the safe running of equipment and protection systems.

The explosion-proof cable glands listed in this catalog are produced in Germany and are for use in areas subject to explosion hazards. Such parts are also termed "cable glands and entry fittings" (abbreviated KLE) and "accessories."

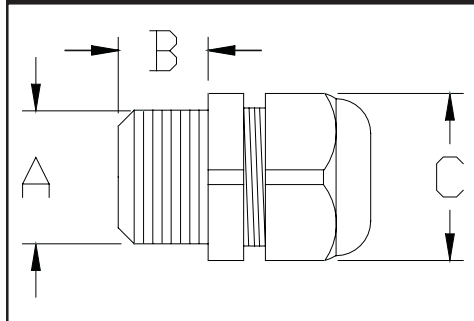
EN 50014 defines cable glands and entry fittings as equipment which allows one or several electrical and/or fibre optic cables or wires to be inserted into electrical equipment while retaining the corresponding type of protection.

The explosion-proof KLE items contained in this catalog are suitable for inserting cables and wires into housing of protection type EEx e "increased safety," and EEx i "inherent safety" in Device Groups II and Categories 2 and 3.

For further information on ATEX and European explosion-proof classifications, please consult the factory.

THESE SPECIFICATIONS ARE NOT INTENDED TO BE CORRELATED TO OR BE A SUBSTITUTION FOR U.S. EXPLOSION-PROOF RATINGS.

CABLE GLANDS	EXPLOSION-PROOF PLASTIC CABLE GLANDS	METRIC THREADING
-------------------------	---	-----------------------------



TYPE OF PROTECTION EExd e II - INCREASED SAFETY. PERMANENT AMBIENT TEMPERATURE: -50° C TO 55° C. PROTECTION TYPE IP 66 ACCORDING TO EN 60529.

CERTIFICATE OF CONFORMITY:
PTB-No. Ex-92-C.3142
PTB-No. Ex-92.C3108X (M12 & M16)

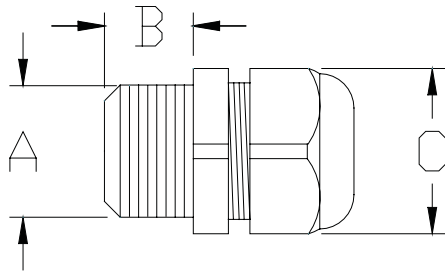
PART NUMBER		DIAMETER RANGE	"A" MOUNTING HOLE CLEARANCE	"B" THREAD LENGTH	"C" WRENCH FLATS	THREAD TYPE
GRAY	BLACK					
PCGEX-M12	PCGEX-M12-B	4 - 7mm	12.5mm	8mm	15mm	M12 x 1.5
PCGEX-M12L	PCGEX-M12L-B	4 - 7mm	12.5mm	12mm	15mm	M12 x 1.5
PCGEX-M16	PCGEX-M16-B	5 - 10mm	16.5mm	8mm	20mm	M16 x 1.5
PCGEX-M16L	PCGEX-M16L-B	5 - 10mm	16.5mm	12mm	20mm	M16 x 1.5
PCGEX-M20	PCGEX-M20-B	5 - 13mm	20.5mm	8mm	24mm	M20 x 1.5
PCGEX-M20L	PCGEX-M20L-B	5 - 13mm	20.5mm	13mm	24mm	M20 x 1.5
PCGEX-M25	PCGEX-M25-B	8 - 17mm	25.5mm	8mm	29mm	M25 x 1.5
PCGEX-M25L	PCGEX-M25L-B	8 - 17mm	25.5mm	13mm	29mm	M25 x 1.5
PCGEX-M32	PCGEX-M32-B	12 - 21mm	32.5mm	10mm	36mm	M32 x 1.5
PCGEX-M40	PCGEX-M40-B	16 - 28mm	40.5mm	10mm	46mm	M40 x 1.5
PCGEX-M50	PCGEX-M50-B	21 - 35mm	50.5mm	12mm	55mm	M50 x 1.5
PCGEX-M63	PCGEX-M63-B	27 - 48mm	63.5mm	12mm	68mm	M63 x 1.5

Intrinsically safe explosion proof versions also available; please consult factory.

Protection type EExd e II is a standard European classification. These specifications are NOT intended to be correlated to or be substitution for U.S. explosion proof ratings.

MATERIALS: ALCRYM

CABLE GLANDS	DUAL GROMMET PLASTIC CABLE GLANDS	METRIC THREADING
-------------------------	--	-----------------------------



THESE CABLE GLANDS HAVE A DUAL GROMMET SYSTEM THAT ALLOWS THE CABLE GLAND TO HAVE A MUCH WIDER DIAMETER RANGE THAN THE STANDARD PLASTIC CABLE GLANDS. CABLES THAT ARE IN THE LOWER PART OF THE DIAMETER RANGE WILL FIT INTO THE CABLE GLAND WITHOUT ANY CHANGE. FOR CABLES THAT ARE IN THE UPPER PART OF THE DIAMETER RANGE, THE DOME NUT IS REMOVED AND THE SEALS ARE REMOVED. SEPARATE THE INNER SEAL FROM THE OUTER SEAL AND REPLACE THE OUTER SEAL INTO THE CABLE GLAND. IT IS NOW READY FOR USE WITH THE LARGER CABLE.

A LOCKING NUT IS SUPPLIED ON ALL METRIC THREADED PARTS.
AN O-RING IS NOT NEEDED ON ANY SIZES SMALLER THAN M25.
AN O-RING IS SUPPLIED ON SIZE M32 AND LARGER.

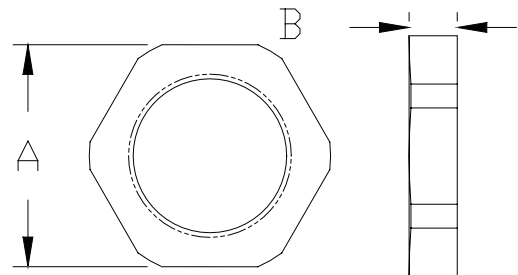
STANDARD STYLE PART NUMBER		DIAMETER RANGE	"A" MOUNTING HOLE CLEARANCE	"B" THREAD LENGTH	"C" WRENCH FLATS	THREAD TYPE
GRAY	BLACK					
PCGU-M12	PCGU-M12-B	2mm - 5mm	12.5mm	8mm	15mm	M12 x 1.5
PCGU-M16	PCGU-M16-B	3mm - 10mm	16.5mm	8mm	20mm	M16 x 1.5
PCGU-M20	PCGU-M20-B	5mm - 13mm	20.5mm	8mm	24mm	M20 x 1.5
PCGU-M25	PCGU-M25-B	8mm - 17mm	25.5mm	8mm	29mm	M25 x 1.5
PCGU-M32	PCGU-M32-B	12mm - 21mm	32.5mm	10mm	36mm	M32 x 1.5
PCGU-M40	PCGU-M40-B	16mm - 28mm	40.5mm	10mm	46mm	M40 x 1.5
PCGU-M50	PCGU-M50-B	21mm - 35mm	50.5mm	12mm	55mm	M50 x 1.5
PCGU-M63	PCGU-M63-B	27mm - 48mm	63.5mm	12mm	68mm	M63 x 1.5

MATERIALS:

BODY: POLYAMIDE
O-RING: BUNA-N

CABLE GLANDS	NUTS & PLUGS	METRIC THREADING
-------------------------	-----------------------------	-----------------------------

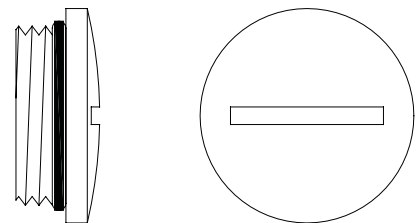
PLASTIC NUTS				
PART NUMBER		B (mm)	A (mm)	THREAD TYPE
GRAY	BLACK			
2M12PA	2M12PA/SW	5	17	M12
2M16PA	2M16PA/SW	5	22	M16
2M20PA	2M20PA/SW	6	26	M20
2M25PA	2M25PA/SW	6	32	M25
2M32PA	2M32PA/SW	7	41	M32
2M40PA	2M40PA/SW	7	50	M40
2M50PA	2M50PA/SW	8	60	M50
2M63PA	2M63PA/SW	9	75	M63



MATERIAL:

PLASTIC: POLYAMIDE
O-RING: BUNA-N

PLASTIC PLUGS					
PART NUMBER			DIAMETER (mm)	THREAD LENGTH (mm)	THREAD TYPE (x1.5)
GRAY PLASTIC	BLACK PLASTIC	METAL			
CRB-M12PA	CRB-M12PA/SW	CRB-M12	15	6	M12
CRB-M16PA	CRB-M16PA/SW	CRB-M16	20	6	M16
CRB-M20PA	CRB-M20PA/SW	CRB-M20	24	6	M20
CRB-M25PA	CRB-M25PA/SW	CRB-M25	30	8	M25
CRB-M32PA	CRB-M32PA/SW	CRB-M32	37	8	M32
CRB-M40PA	CRB-M40PA/SW	CRB-M40	46	8	M40
CRB-M50PA	CRB-M50PA/SW	CRB-M50	56	10	M50
CRB-M63PA	CRB-M63PA/SW	CRB-M63	70	12	M63



MATERIAL:

METAL: BRASS WITH NICKEL PLATING
PLASTIC: POLYAMIDE
O-RING: BUNA-N

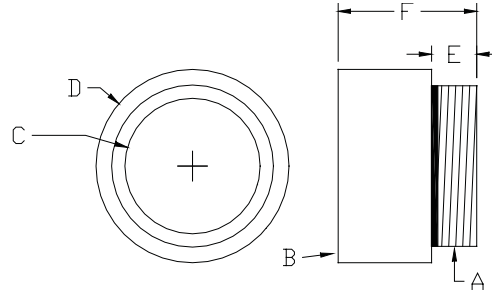
CABLE GLANDS

ADAPTERS

METRIC THREADING

METRIC TO PG

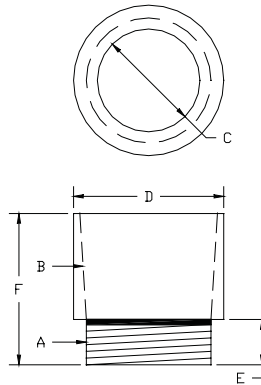
PART NUMBER	A (x 1.5)	B	C (mm)	D (mm)	E (mm)	F (mm)
M12-PG9	M12	PG 9	8	17	5	16
M16-PG11	M16	PG11	12	20	5	16.5
M20-PG16	M20	PG16	15	24	6	19.5
M25-PG21	M25	PG21	21	30	7	21.5
M32-PG29	M32	PG29	26	39	8	25
M40-PG36	M40	PG36	34	50	8	28.5
M50-PG42	M50	PG42	44	57	9	32
M50-PG48	M50	PG48	44	64	9	33



MATERIAL:
 BODY: BRASS, NICKEL PLATE
 O-RING: BUNA-N

METRIC TO NPT (METAL)

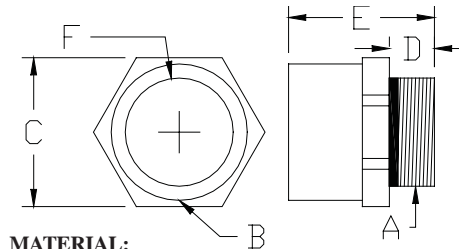
PART NUMBER	A (x 1.5)	B (NPT)	C (mm)	D (mm)	E (mm)	F (mm)
M16-1/2	M16	1/2	11	24	6.5	24.5
M20-1/2	M20	1/2	15	24	6.5	24.5
M25-3/4	M25	3/4	18	30	7.0	25.0
M32-3/4	M32	3/4	23	37	8	26
M32-1	M32	1	27	38	8.0	28.0
M40-1.25	M40	1.25	34	46	8	26



MATERIAL:
 BODY: BRASS, NICKEL PLATE
 O-RING: BUNA-N

METRIC TO NPT BLACK PLASTIC

PART NUMBER	A (x 1.5)	B (NPT)	C (mm)	D (mm)	E (mm)	F (mm)
M16-1/2PA/SW	M16	1/2	27	8	28	11
M20-1/2PA/SW	M20	1/2	27	8	27	15

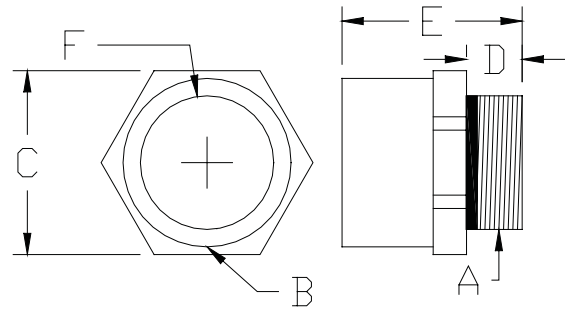


MATERIAL:
 BODY: POLYAMIDE

CABLE GLANDS & ADAPTERS

CABLE GLANDS	REDUCERS & ENLARGERS	METRIC THREADING
-------------------------	-------------------------------------	-----------------------------

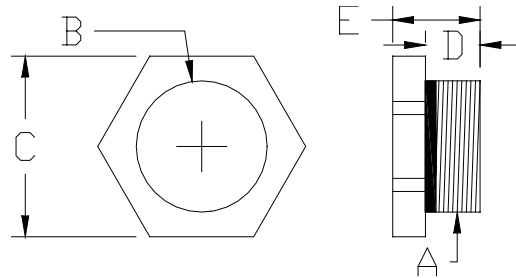
METRIC ENLARGERS						
PART NUMBER	A (x 1.5)	B (x 1.5)	C (mm)	D (mm)	E (mm)	F (mm)
CRC-M12	M12	M16	18	5	16	8
CRC-M16	M16	M20	22	5	16.5	12
CRC-M20	M20	M25	27	6	18.5	15
CRC-M25	M25	M32	34	7	20.5	21
CRC-M32	M32	M40	42	8	23.5	21
CRC-M40	M40	M50	52	8	30	34
CRC-M50	M50	M63	65	9	32.5	44



MATERIALS:

BODY: BRASS, NICKEL PLATED
O-RING: BUNA-N

METRIC REDUCERS					
PART NUMBER	A (x 1.5)	B (x 1.5)	C (mm)	D (mm)	E (mm)
CEC-M12	M16	M12	17	5	8
CEC-M12X	M20	M12	22	6	9
CEC-M16	M20	M16	22	7	9
CEC-M16X	M25	M16	27	7	10
CEC-M20	M25	M20	27	7	10
CEC-M16Y	M32	M16	34	8	11
CEC-M20X	M32	M20	34	8	11
CEC-M25	M32	M25	34	8	11
CEC-M20Y	M40	M20	43	8	12
CEC-M25X	M40	M25	43	8	12
CEC-M32	M40	M32	43	8	12
CEC-M25Y	M50	M25	55	9	13
CEC-M32X	M50	M32	55	9	13
CEC-M40	M50	M40	55	9	13
CEC-M32Y	M63	M32	65	10	14
CEC-M40X	M63	M40	65	10	14
CEC-M50	M63	M50	65	10	14

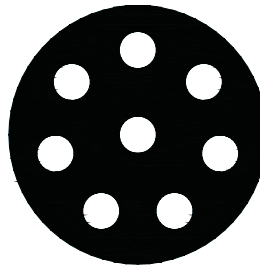


MATERIALS:

BODY: BRASS, NICKEL PLATED
O-RING: BUNA-N

CABLE GLANDS	MULTI-HOLE CABLE GLAND INSERTS	PG 09 - PG 13.5 CABLE GLAND ACCESORIES
-------------------------	---	---

MENCOM MULTI-HOLE CABLE GLAND INSERTS WILL ALLOW THE USER TO USE ONE CABLE GLAND FOR MULTIPLE WIRES, CABLES OR TUBES. THE INSERTS FIT INTO THE MENCOM "MCG" OR "PCG" CABLE GLANDS, AND WILL SEAL TO IP 65.



PART NUMBER	# OF HOLES	DIAMETER OF HOLES	FITS INTO
PG09-0x0	0	NONE	MCG-09, MCG-09R, MCG-3/8, MCG-3/8R, PCG-09, PCG-09-B, PCG-09R, PCG-09R-B
PG09-2x3	2	0.118"	
PG09-2x3.5	2	0.138"	
PG09-3x2	3	0.079"	
PG09-3x3.5	3	0.138"	
PG09-4x2	4	0.079"	
PG09-4x3	4	0.118"	
PG11-0x0	0	NONE	MCG-11, MCG-11R, PCG-11, PCG-11-B, PCG-11R, PCG-11R-B, PCG-3/8, PCG-3/8-B, PCG-3/8R, PCG-3/8R-B, PCG-M16, PCG-M16-B, PCG-M16R, PCG-M16R-B
PG11-2x3	2	0.118"	
PG11-2x4	2	0.157"	
PG11-2x4.5	2	0.177"	
PG11-2x5	2	0.197"	
PG11-3x3	3	0.118"	
PG11-3x4	3	0.157"	
PG11-3x5	3	0.197"	
PG11-4x3	3	0.118"	
PG13.5-0x0	0	NONE	MCG-13.5, MCG-13.5R, MCG-1/2, MCG-1/2R, PCG-13.5, PCG-13.5-B, PCG-13.5R, PCG-13.5R-B, PCG-1/2X, PCG-1/2X-B, PCG-1/2Y, PCG-1/2Y-B, PCG-M20R, PCG-M20R-B
PG13.5-2x4.5	2	0.177"	
PG13.5-2x5	2	0.197"	
PG13.5-2x6	2	0.236"	
PG13.5-3x4	3	0.157"	
PG13.5-3x5	3	0.197"	

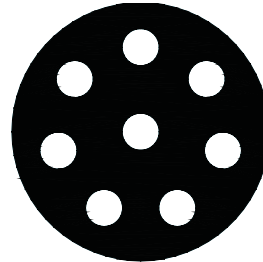
CABLE GLANDS & ADAPTERS

INSERTS ARE INTENDED FOR USE WITH WIRES, CABLES, OR TUBES THAT HAVE DIAMETERS THAT ARE WITHIN ± 0.020 " OF THE "HOLE DIAMETER" LISTED.

INSERTS WITHOUT HOLES ALLOW THE USER TO DRILL HOLES FOR LOW VOLUME, CUSTOM APPLICATIONS.

CABLE GLANDS	MULTI-HOLE CABLE GLAND INSERTS	PG 16 - PG 29 CABLE GLAND ACCESSORIES
-------------------------	---	--

MENCOM MULTI-HOLE CABLE GLAND INSERTS WILL ALLOW THE USER TO USE ONE CABLE GLAND FOR MULTIPLE WIRES, CABLES OR TUBES. THE INSERTS FIT INTO THE MENCOM "MCG" OR "PCG" CABLE GLANDS, AND WILL SEAL TO IP 65.



PART NUMBER	# OF HOLES	DIAMETER OF HOLES	FITS INTO
PG16-0x0	0	NONE	
PG16-2x4	2	0.157"	
PG16-2x6	2	0.236"	
PG16-3x4	3	0.157"	
PG16-3x4.5	3	0.177"	
PG16-3x5	3	0.197"	MCG-16, MCG-16R,
PG16-3x6	3	0.236"	PCG-16, PCG-16-B, PCG-16R
PG16-3x6.5	3	0.256"	PCG-16R-B, PCG-1/2, PCG-1/2-B,
PG16-3x7	3	0.276"	PCG-1/2R, PCG-1/2R-B, PCG-M20,
PG16-4x4	4	0.157"	PCG-M20-B
PG16-4x5	4	0.197"	
PG16-4x6	4	0.236"	
PG16-5x4	5	0.157"	
PG21-0x0	0	NONE	
PG21-2x7	2	0.276"	
PG21-2x8	2	0.315"	MCG-21, MCG-21R, MCG-3/4,
PG21-2x9	2	0.354"	MCG-3/4R, PCG-21
PG21-3x7	3	0.276"	PCG-21-B, PCG-21R, PCG-21R-B,
PG21-3x8	3	0.315"	PCG-3/4, PCG-3/4-B, PCG-3/4R,
PG21-4x5	4	0.197"	PCG-3/4R-B, PCG-M25, PCG-M25-B,
PG21-4x6.5	4	0.256"	PCG-M25R, PCG-M25R-B
PG21-4x7	4	0.276"	
PG21-4x7.5	4	0.295"	
PG29-0x0	0	NONE	MCG-29, MCG-29R, MCG-1.0
PG29-5x8.5	5	0.335"	MCG-1.0R, PCG-29,
PG29-6x5	6	0.197"	PCG-29-B, PCG-29R, PCG-29R-B,
PG29-6x7.5	6	0.295"	PCG-1.0, PCG-1.0-B
PG29-8x5	8	0.197"	PCG-1.0R, PCG-1.0R-B, PCG-M32,
			PCG-M32-B

INSERTS CAN BE PRE-INSTALLED IN CABLE GLANDS FOR ORDERS OF 100 OR MORE; ORDER AS FOLLOWS:

MULTI-HOLE INSERT + DESIRED CABLE GLAND = RESULTING PART NUMBER
 PG11-3X3 MCG-11 MCG-11-3X3

CABLE GLANDS	ASI CABLE GLAND & O-RINGS	CABLE GLANDS & ACCESSORIES
-------------------------	--	---

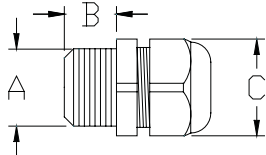


FIG 1
(SINGLE)

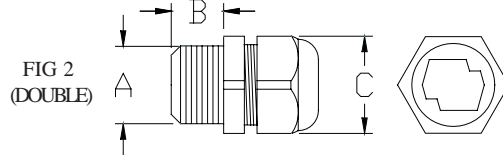


FIG 2
(DOUBLE)

PLASTIC ASI CABLE GLANDS

PART NUMBER		FIGURE NUMBER	"A" MOUNTING HOLE CLEARANCE	"B" THREAD LENGTH	"C" WRENCH FLATS	THREAD TYPE
GRAY	BLACK					
PCG-1/2-ASI	PCG-1/2-B-ASI	FIG 1	.825"	.591"	1.06"	1/2" NPT
PCG-13.5-ASI	PCG-13.5-B-ASI	FIG 1	.825"	.354"	.945"	PG 13.5
PCG-M20-ASI	PCG-M20-B-ASI	FIG 1	20.5 mm	8 mm	27 mm	M20x1.5
PCG-M25-ASI	PCG-M25-B-ASI	FIG 1	25.5 mm	8 mm	33 mm	M25x1.5
PCG-M25-2ASI	PCG-M25-B-2ASI	FIG 2	25.5 mm	8 mm	33 mm	M25x1.5

METAL ASI CABLE GLANDS

MCG-1/2-ASI	FIG 1	.825"	.591"	1.06"	1/2" NPT
MCG-13.5-ASI	FIG 1	.825"	.256"	.866"	PG 13.5
MCG-M20-ASI	FIG 1	20.5 mm	6 mm	22 mm	M20x1.5
MCG-M25-ASI	FIG 1	25.5 mm	7 mm	27 mm	M25x1.5
MCG-M25-2ASI	FIG 2	25.5 mm	7 mm	27 mm	M25x1.5

METAL MATERIAL:

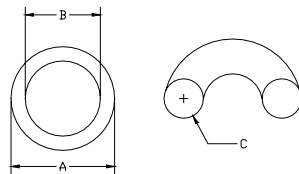
BODY: NICKEL PLATED BRASS
 INSERT: POLYAMIDE
 SEAL: NEOPRENE

PLASTIC MATERIAL:

BODY: POLYAMIDE
 SEAL: NEOPRENE

CABLE GLANDS & ADAPTERS

FOR METRIC THREADING					
O-RINGS (100 PCS/PKG)					
PART NUMBER	SIZE	A (mm)	B (mm)	C (mm)	
3M12G	M12	12	9	1.5	
309G	M16	16	13	1.5	
313G	M20	21	18	1.5	
3M25G	M25	27	23	2.0	
3M32G	M32	34	29	2.5	
3M40G	M40	41	37	2.0	
3M50G	M50	52	47	2.5	
3M63G	M63	66	60	3.0	



MATERIAL: BUNA-N

FOR PG THREADING					
O-RINGS (100 PCS/PKG)					
PART NUMBER	SIZE	A (mm)	B (mm)	C (mm)	
307G	PG 7	13	10	1.5	
309G	PG 9	17	13	2.0	
311G	PG 11	20	16	2.0	
313G	PG 13.5	22	18	2.0	
316G	PG 16	24	20	2.0	
321G	PG 21	28	24	2.0	
329G	PG 29	37	33	2.0	
336G	PG 36	47	42	2.5	
342G	PG 42	53	48	2.5	
348G	PG 48	60	54	3.0	