



OPEN STARTER
Type XLS27 15 HP



NEMA 1 ENCLOSED
(Starter XLS7 10 HP)
(Rail mount option)



NEMA 4X ENCLOSED
Starter XLS07 with
start/stop operator



AEG MAXIMUM H.P. is a conservative rating fully equivalent to or surpassing NEMA ratings. Mechanical life is 10,000,000 operations with electrical life approximately 1,000,000 operations at full rated Horse Power.

For **STOCK FLEXIBILITY**, one enclosure covers 4 sizes thru 15 HP, 460 Volt.

0 to 15 HP (460V)

20 to 50 HP (460V)

EEControls size groupings were designed to match logical motor Horse Power groupings as used throughout industry. As such, more sizes are offered than the NEMA industry. Each unit fully meets applicable codes and can be applied per the NEC code. More sizes allows users to closer match their motor and drive package with the result of substantial cost and space savings.

#M01-070405 used with:

Single or 3-Phase Starters	
Type XLS 4	7.5 HP*
XLS 7	10 HP
XLS 17	10 HP
XLS 27	15 HP

#M01-070405 used with:

Single or 3-Phase Starters	
Type XLS 37	25 HP*
XLS 47	40 HP
XLS 57	50 HP
RXLS 4,7,17,27	

In industry, the metal **General Purpose NEMA 1** Enclosure is the most widely used and versatile design. As standard, a selection of knockouts are provided on all sides for conduit entry and for field start-stop kit or selector switch additions.

Dust Tight Water Tight Enclosures - NEMA 4X

#S4X-RVJ 1008 used with:

Single or 3-Phase Starters	
Type XLS 4	7.5 HP*
XLS 7	10 HP
XLS 17	10 HP
XLS 27	15 HP

#S4X-RVJ 1210 used with:

Single or 3-Phase Starters	
Type NEMA 4X	
XLS 37	25 HP
XLS 47	40 HP
XLS 57	50 HP
RXLS 4,7,17,27	

► **TYPE 4X ENCLOSED STARTERS.** NEMA 4X starters are UL/CSA Listed starters enclosed in type 4X U.L. Listed enclosures. Type 4X enclosures are designed for outdoor/hose down/dust tight applications and are non-metal corrosion resistant.

* 3 Phase 460 Volt Rating Shown

Single Phase Starters - Non Reversing



Size	NEMA Horse Power Ratings 1 Phase Motors		OPEN	NEMA 1 General Purpose	NEMA 4X Outdoor Dust Tight	NEMA 4 Metal	NEMA 7 Hazardous Area	NEMA 12 Dust Tight
	115V HP	230V HP						
MINI LIST	1	2	SXLS07 -◇0-◇◇ \$89	SXLS07 -◇1-◇◇ \$115	SXLS07 -◇4x-◇◇ \$155	For Mini Starter Details See Mini Bulletin M1		
00 LIST	3/4	2	SXLS4 -◇0-◇◇ \$145	SXLS4 -◇1-◇◇ \$171	SXLS4 -◇4x-◇◇ \$245	SXLS4 -◇4-◇◇ \$301	Consult Factory for Pricing	SXLS4 -◇12-◇◇ \$210
0 LIST	1	2	SXLS7 -◇0-◇◇ \$170	SXLS7 -◇1-◇◇ \$196	SXLS7 -◇4x-◇◇ \$270	SXLS7 -◇4-◇◇ \$326		SXLS7 -◇12-◇◇ \$235
0+ LIST	1 1/2	3	SXLS17 -◇0-◇◇ \$188	SXLS17 -◇1-◇◇ \$214	SXLS17 -◇4x-◇◇ \$288	SXLS17 -◇4-◇◇ \$352		SXLS17 -◇12-◇◇ \$253
1+ LIST	2	5	SXLS27 -◇0-◇◇ \$210	SXLS27 -◇1-◇◇ \$236	SXLS27 -◇4x-◇◇ \$310	SXLS27 -◇4-◇◇ \$363		SXLS27 -◇12-◇◇ \$275
2 LIST	3	7 1/2	SXLS37 -◇0-◇◇ \$268	SXLS37 -◇1-◇◇ \$308	SXLS37 -◇4x-◇◇ \$424	SXLS37 -◇4-◇◇ \$523		SXLS37 -◇12-◇◇ \$424
2 1/2 LIST	5	10	SXLS57 -◇0-◇◇ \$407	SXLS57 -◇1-◇◇ \$447	SXLS57 -◇4x-◇◇ \$563	SXLS57 -◇4-◇◇ \$800		SXLS57 -◇12-◇◇ \$563

*Coil Voltage Suffix.

**Overload relay suffix. See next page.

*Modification & Field Kits see page AEG 24.



TYPE XLS AC STARTERS

3 Phase Full Voltage-Across the Line



STARTERS

All Starters Supplied with BUILT-IN HEATERS

Size 00-2^{1/2}



NEMA RATED

Inductive Amps	Horse Power (UL) Ratings 3 Phase Motor Max HP	OPEN	ENCLOSED					NEMA HP
			NEMA 1 General Purpose	NEMA 4X Outdoor Dust Tight	NEMA 4 Metal	NEMA 7 Hazardous Area	NEMA 12 Dust Tight	
Mini	200V 3 HP 230V 3 HP 460V 3 HP	XLS07 -◇0-◇◇ \$ 89	XLS07 -◇1-◇◇ \$115	XLS07 -◇4x-◇◇ \$155	XLS07 -◇4-◇◇ \$249	Contact Factory for Pricing	XLS07 -◇12-◇◇ \$154	
16 00	200V 3 HP 230V 3 HP 460V 7.5 HP 600V 7.5 HP LIST	XLS4 -◇0-◇◇ \$145	XLS4 -◇1-◇◇ \$171	XLS4 -◇4x-◇◇ \$245	XLS4 -◇4-◇◇ \$301		XLS4 -◇12-◇◇ \$210	200V 1.5 HP 230V 1.5 HP 460V 2 HP 600V 2 HP NEMA 00
20 0	200V 5 HP 230V 5 HP 460V 10 HP 600V 10 HP LIST	XLS7 -◇0-◇◇ \$170	XLS7 -◇1-◇◇ \$196	XLS7 -◇4x-◇◇ \$270	XLS7 -◇4-◇◇ \$326	XLS7 -◇7-◇◇ -	XLS7 -◇12-◇◇ \$235	200V 3 HP 230V 3 HP 460V 5 HP 600V 5 HP NEMA 00
27 0+	200V 5 HP 230V 7.5 HP 460V 10 HP 600V 15 HP LIST	XLS17 -◇0-◇◇ \$188	XLS17 -◇1-◇◇ \$214	XLS17 -◇4x-◇◇ \$288	XLS17 -◇4-◇◇ \$352	XLS17 -◇7-◇◇ -	XLS17 -◇12-◇◇ \$253	
40 1+	200V 7.5 HP 230V 10 HP 460V 15 HP 600V 20 HP LIST	XLS27 -◇0-◇◇ \$210	XLS27 -◇1-◇◇ \$236	XLS27 -◇4x-◇◇ \$310	XLS27 -◇4-◇◇ \$374	XLS27 -◇7-◇◇ -	XLS27 -◇12-◇◇ \$275	200V 7.5 HP 230V 7.5 HP 460V 10 HP 600V 10 HP NEMA 1
55 1 ^{3/4}	200V 10 HP 230V 10 HP 460V 25 HP 600V 25 HP LIST	XLS37 -◇0-◇◇ \$268	XLS37 -◇1-◇◇ \$308	XLS37 -◇4x-◇◇ \$424	XLS37 -◇4-◇◇ \$523	XLS37 -◇7-◇◇ -	XLS37 -◇12-◇◇ \$424	
90 2+	200V 15 HP 230V 20 HP 460V 40 HP 600V 50 HP LIST	XLS47 -◇0-◇◇ \$343	XLS47 -◇1-◇◇ \$383	XLS47 -◇4x-◇◇ \$499	XLS47 -◇4-◇◇ \$736	XLS47 -◇7-◇◇ -	XLS47 -◇12-◇◇ \$499	200V 10 HP 230V 15 HP 460V 25 HP 600V 25 HP NEMA 2
100 2 ^{1/2}	200V 20 HP 230V 25 HP 460V 50 HP 600V 60 HP LIST	XLS57 -◇0-◇◇ \$407	XLS57 -◇1-◇◇ \$447	XLS57 -◇4x-◇◇ \$563	XLS57 -◇4-◇◇ \$800	XLS57 -◇7-◇◇ -	XLS57 -◇12-◇◇ \$563	

4 Auxiliaries are standard sizes LS27 thru LS247 (2 N.O. + 2 N.C.)

•Each Type XLS unit fully meets or surpasses the NEMA standard comparable rating.

◇◇ OVERLOAD RELAY SUFFIX			
Suffix	O.L., Relay Setting Range (Amps)	Suffix	O.L., Relay Setting Range (Amps)
-A	0.12-0.18	-N	11-17
-B	0.18-0.28	-O	15-23
-C	0.28-0.4	-P	22-32
-D	0.4-0.6	-Q	32-50
-E	0.56-0.8	-RN	50-63
-F	0.8-1.2	-SN	63-80
-G	1.2-1.8	-TN	80-110
-H	1.8-2.8	-TT	110-135
-I	2.8-4	-UN	135-160
-K	4-6	-UU	150-180
-L	5.6-8	-VT	175-280
-M	8-12	-WT	250-400
		-X	315-500

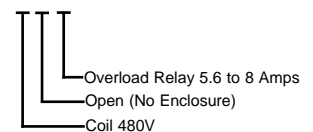
◇◇ COIL VOLTAGE SUFFIX		
AC ◇◇	60HZ	50HZ
-A	120V	110V
-C	208V/230V	220V
-E	480V	440V
-F	600V	550V
-D		380V
-G	24V	22V
-H	280V/277V	240V
◇◇ DC ◇◇		
-MTW	12VDC	
-NTW	24VDC	
-OTW	48VDC	
-PTW	120VDC	
-RTW	220VDC	

•TW: Two Winding D.C. Coil.
Add \$10 list each, for XLS07 single winding D.C. Coil.
Add \$25 list each, for sizes LS4 thru LS77.

► TYPE 4X ENCLOSED STARTERS

Type XLS starters are UL/CSA Listed starters enclosed in type 4X U.L. Listed enclosures. Type 4X enclosures are designed for outdoor / hose down / dust tight applications and are non-metal corrosion resistant.

TYPICAL ORDER ITEM
5HP 460V Starter
XLS4-EO-L



Mini Starters use type B05 overloads (refer to page AEG 16)

MODIFICATIONS & KITS - PAGE AEG 24



TYPE XLS AC STARTERS

3 Phase Full Voltage-Across the Line AEG

STARTERS

All Starters Supplied with BUILT-IN HEATERS			Size 3-6		CE	NEMA RATED		
	Horse Power Ratings 3 Phase Motor Max HP Volts	OPEN	ENCLOSED					NEMA HP
			NEMA 1 General Purpose	NEMA 4X ▶ Outdoor Dust Tight	NEMA 4 ▶ Metal	NEMA7 Hazardous Area <small>Contact Factory for Pricing</small>	NEMA12 Dust Tight	
3	200V 25 HP 230V 30 HP 460V 60 HP 600V 75 HP	XLS77 -◇0-◇◇	XLS77 -◇1-◇◇	XLS77 -◇4x-◇◇	XLS77 -◇4-◇◇	XLS77 -◇7-◇◇	XLS77 -◇12-◇◇	200V 25 HP 230V 30 HP 460V 50 HP 600V 50 HP NEMA 3
	LIST	\$497	\$578	\$708	\$994	-	\$708	
3 ^{1/2}	200V 30 HP 230V 40 HP 460V 75 HP 600V 100 HP	XLS87 -◇0-◇◇	XLS87 -◇1-◇◇	XLS87 -◇4x-◇◇	XLS87 -◇4-◇◇	XLS87 -◇7-◇◇	XLS87 -◇12-◇◇	
	LIST	\$587	\$777	\$1,302	\$1,532	-	\$1,332	
4	200V 40 HP 230V 50 HP 460V 100 HP 600V 100 HP	XLS107 -◇0-◇◇	XLS107 -◇1-◇◇	XLS107 -◇4x-◇◇	XLS107 -◇4-◇◇	XLS107 -◇7-◇◇	XLS107 -◇12-◇◇	200V 40 HP 230V 50 HP 460V 100 HP 600V 100HP NEMA 4
	LIST	\$995	\$1,185	\$1,710	\$1,840	-	\$1,840	
4 ^{1/2}	200V 60 HP 230V 75 HP 460V 150HP 600V 200HP	XLS177 -◇0-◇◇	XLS177 -◇1-◇◇	XLS177 -◇4x-◇◇	XLS177 -◇4-◇◇	XLS177 -◇7-◇◇	XLS177 -◇12-◇◇	
	LIST	\$1,347	\$1,647	\$2,062	\$2,777	-	\$2,304	
5	200V 75 HP 230V 100HP 460V 200 HP 600V 250HP	XLS247 -◇0-◇◇	XLS247 -◇1-◇◇	XLS247 -◇4x-◇◇	XLS247 -◇4-◇◇	XLS247 -◇7-◇◇	XLS247 -◇12-◇◇	200V 75 HP 230V 100 HP 460V 200 HP 600V 200 HP NEMA 5
	LIST	\$1,649	\$1,949	\$2,576	\$3,079	-	\$2,606	
	200V 125HP 230V 150HP 460V 300HP 600V 400HP	XLS220K -◇0-◇◇	XLS220K -◇1-◇◇	XLS220K -◇4x-◇◇	XLS220K -◇4-◇◇	XLS220K -◇7-◇◇	XLS220K -◇12-◇◇	
	LIST	\$2,260	\$3,560	\$3,820	\$5,848	-	\$4,080	
	200V 150HP 230V 200HP 460V 400HP 600V 500HP	XLS280K -◇0-◇◇	XLS280K -◇1-◇◇	XLS280K -◇4x-◇◇	XLS280K -◇4-◇◇	XLS280K -◇7-◇◇	XLS280K -◇12-◇◇	
	LIST	\$3,310	\$4,750	\$5,010	\$8,926	-	\$5,270	

NOTE: Starters are in stock thru 1250 AMP.

30 Amp POWER AUXILIARY (600 volt)
See page AEG 24.

◇◇ OVERLOAD RELAY SUFFIX			
Suffix	O.L., Relay Setting Range (Amps)	Suffix	O.L., Relay Setting Range (Amps)
-A	0.12-0.18	-N	11-17
-B	0.18-0.28	-O	15-23
-C	0.28-0.4	-P	22-32
-D	0.4-0.6	-Q	32-50
-E	0.56-0.8	-RN	50-63
-F	0.8-1.2	-SN	63-80
-G	1.2-1.8	-TN	80-110
-H	1.8-2.8	-TT	110-135
-I	2.8-4	-UN	135-160
-K	4-6	-UU	150-180
-L	5.6-8	-VT	175-280
-M	8-12	-WT	250-400
		-X	315-500

◇ COIL VOLTAGE SUFFIX		
AC ◇	60HZ	50HZ
-A	120V	110V
-C	208V/230V	220V
-E	480V	440V
-F	600V	550V
-D		380V
-G	24V	22V
-H	280V/277V	240V
DC ◇ •		
-MTW	12VDC	
-NTW	24VDC	•Price Addition for DC Coil.
-OTW	48VDC	
-PTW	120VDC	
-RTW	220VDC	

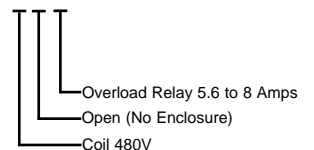
•TW: Two winding D.C. Coil.
Add \$25 list each, for sizes LS4 thru LS77.

◇ To determine overload size, see back inside cover for details.

▶ TYPE 4X ENCLOSED STARTERS

Type 4X enclosed starters are UL/CSA Listed starters enclosed in type 4X U.L. Listed enclosures. Type 4X enclosures are designed for outdoor / hose down / dust tight applications and are non-metal corrosion resistant.

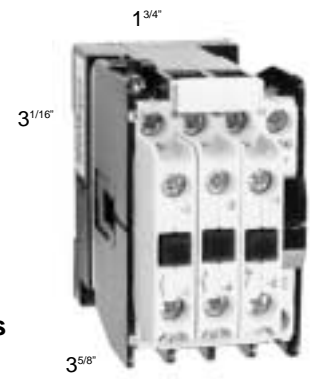
TYPICAL ORDER ITEM
5HP 460V Starter
XLS4-EO-L



MODIFICATIONS & FIELD KITS - PAGE AEG 24

Standard Modifications & Field Kits for Sizes 00 Through 7

Standard Modification	Meets NEMA	Field Kit Catalog	List	Factory Installed Suffix No.	List
Start-Stop Pushbuttons	1	KSS-2	\$18	-KSS-2	\$35
Start-Stop Pushbuttons	3, 4, 12	KSS-3	35	-KSS-3	90
Hand-Off-Auto	1	KSL-1	35	-KSL-1	35
Hand-Off-Auto	3, 4, 12	KSL-1	35	KSL-3	90
Extra Pushbutton	1, 4, 12		35		70
Red Pilot Light	1, 4, 12	KPL-_____Volts	55	-PL-_____Volts	60
Forward Off Reverse	1, 4, 12	KFOR	90	-FOR	160
Auxiliary Contacts 600V, 10 Amp					
For LS4, LS7, LS17, LS27.00, LS37.00	1 NO	HS17.10	\$13	-AX-NO	\$18
	1 NC	HS17.01	13	-AX-NC	18
Late Break	1 NC	HS17V.01	26	-AX-NCLB	26
For LS47-247	1 NO/1 NC	HS107	35	-AX(NO/NC)	35
For LS47-247	1 NO/1 NC	HS107.11-30A	40	30Amp Power Aux.	40
For LS47-87 Late Break	1 NC	HS77GS	35	-AX-NCLB	35
For LS97-247 Late Break	1 NC	HS107 GS	35	-AX-NCLB	35
For LS220-280-375-450K		LK-HS8K.11	22	-AX(NO,NC)	22
Control Circuit Transformer					
	Size				
LS07-LS37	00-1			-FT*	\$135
LS47-107	2-3 ^{1/2}			-FT	280
LS167-177	4-4 ^{1/2}			-FT	340
LS 247	5			-FT	380
LS220-280K				-FT	NC



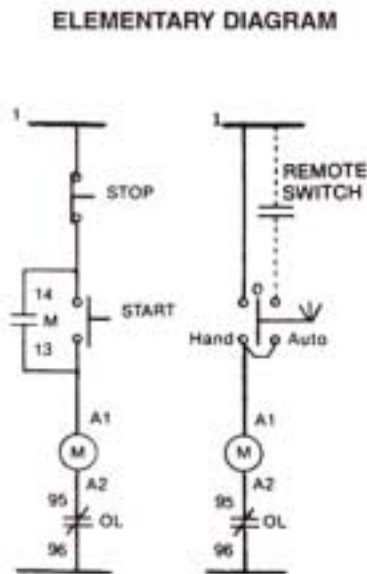
**Type LS7
with 3
Extra Aux. Kits
HS17.10**

Auxiliary Contacts				
Contactor	Standard Number Auxiliaries		Maximum Number Auxiliaries	
	10 AMP	Code	Code	Code
600V	NO	NC		
	1	- 10	1	
LS07.10				
LS4, 7, 17	1	- 10	4	22
LS27.00, 37.00	-	- 00	4	22
LS, 27, 37	2	2 22	4	22
LS, 47, 57	2	2 22	8	44
LS77, 87, 107	2	2 22	8	44
177, 247	2	2 22	8	44
220, 280, 375	2	2 22	8	44

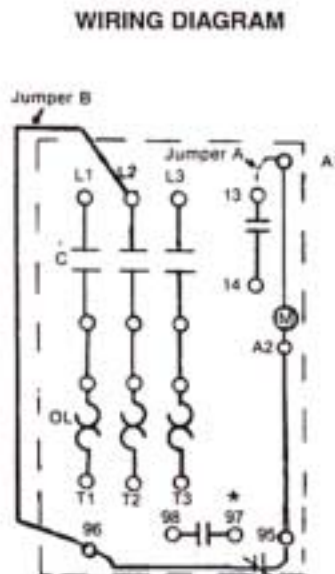
For Fused Primary add "P" to part number. Example PFT. Add \$88 List. (Optional)
*Add Primary Fusing to transformer on "UL Labeled" Controls.

For other Starter Modifications See Page AEG 33.

WIRING DIAGRAM - FULL VOLTAGE STARTERS

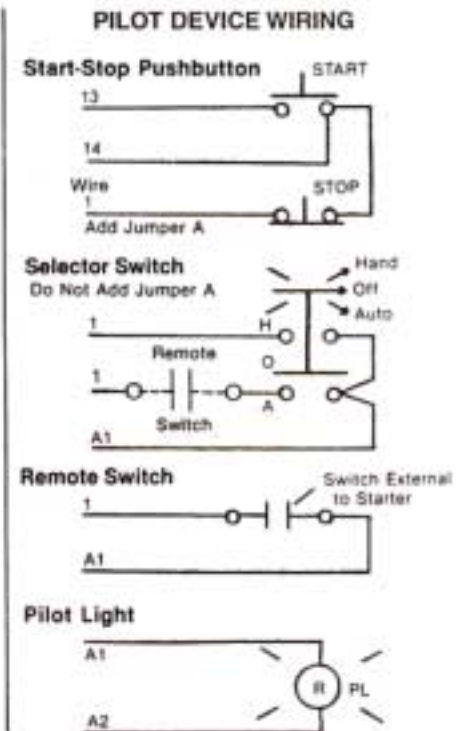


* Alarm Contact not standard on XLS07.
* On BO5 ** Overloads (95/96) terminals are connected opposite of above.



For Line Voltage Coil Control
a) Connect Wire "1" to L1.
b) Connect Wire B from L2 to 96.

For Separate Supply Voltage Control
a) Connect separate supply voltage to Wire "1" and Term. 96 on overload.
b) Remove jumper B.





+



=



CONTACTOR + OVERLOAD = STARTER
(Plug On/Bolt On)

NEMA Size 1

STARTER DIMENSIONS (Approx. Inches) 3 and 1 Full

STARTER With Overload Relay	OPEN																
	Overall Dimensions			Mounting Dimensions													
	H*	W	D	Mounting Holes**	d	d1	e	e1	f	g ¹	g ²	h ¹	h ²	i	j	Bus Link	
XLS07	3.7	1.8	3	Y,Z	1.4	0.2	0.78	0									
XLS4	4.7	1.7	3.9	W,Y	1.38	0.3	2.36	0.3									
XLS7	4.7	1.7	3.9	W,Y	1.38	0.3	2.36	0.3									
XLS17	4.7	1.7	3.9	W,Y	1.38	0.3	2.36	0.3									
XLS27	5.2	1.7	4.3	W,Y	1.38	0.3	2.95	0.3									
XLS37	5.6	2.0	4.7	Y,W	1.38	0.3	2.95	0.3									BL271
XLS47	6.9	3.5	5	X,Y,W	3.1	.2	4.6	.25									BL273
XLS57	6.9	3.5	5	X,Y,W	3.1	.2	4.6	.25									BL273
XLS77,87	6.9	3.5	5	X,Y,W	3.1	.2	4.6	.25									BL273
XLS107	9.1	4 ^{3/4}	6	X,Y,W	3.94	0.39	5.12	0.39									
XLS177	11	5 ^{3/8}	7	X,Y,W	4.33	0.49	6.30	0.39									
XLS247	Check with Factory			X,Y,W	4.7	0.5	7.1	0.4	3.5		7	1.1	4.7				
XLS220K	Check with Factory																

NEMA Size 2

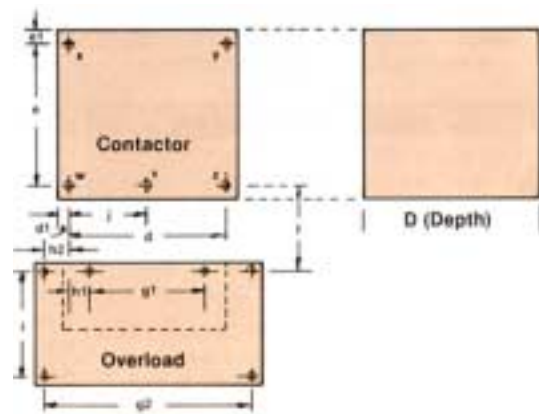
Mounting Holes †



STARTER With Overload Relay	ENCLOSED					
	NEMA 1 General Purpose Type M01			DUST TIGHT Outdoor NEMA Type 4X		
	H	W	D ▶	H	W	D ▶
XLS07	8.75	4.7	5.5	7.3	7.3	5.0
XLS4	8.75	4.7	5.5	11.3	9.3	7.0
XLS7	8.75	4.7	5.5	11.3	9.3	7.0
XLS17	8.75	4.7	5.5	11.3	9.3	7.0
XLS27	8.75	4.7	5.5	11.3	9.3	7.0
XLS37	11	8	6 ^{1/4}	13.5	11.25	7.0
XLS47	11	8	6 ^{1/4}	13.5	11.25	7.0
XLS57	11	8	6 ^{1/4}	13.5	11.25	7.0
XLS77, 87	16	12	7	15.3	13.3	8.25
XLS107	24	20	9	24.2	16.3	9.0
XLS177	24	20	9	24.2	16.3	9.0
XLS247	Check with Factory			32.9	25	11.8
XLS220K	Check with Factory			50	30	12.0

* Units 77 thru 247 are dimensions of contactor bus for compression terminals. For solderless box lug terminals add approx. 2" to H dimension.

** For Bolting Contactor to Panel
† For bolting overload to Panel
(*All Dimensions Approximate*)



▶ Depth, less push buttons

3 POLE WITH ELECTRICAL & MECHANICAL INTERLOCKS

WIRED (For units less wiring, add suffix "L/W" to Catalog Number.)



NEMA SIZE 0



Inductive Resistive	Size	Horse Power Ratings 3 Phase		OPEN	Deduction for Less Wiring L/W
		Motor Volts	Max. HP		
10A 16A	MINI	200V	3 HP	RLS07 -◇0	\$864
		230V	3 HP		
		460V	1 HP		
		LIST			
16A 20A	00	200V	3 HP	RLS4 -◇0	(-\$10)
		230V	3 HP		
		460V	5 HP		
		600V	7.5 HP		
20A 25A	0	200V	5 HP	RLS7 -◇0	(-\$10)
		230V	5 HP		
		460V	10 HP		
		600V	10 HP		
27A 30	0+	200V	5 HP	RLS17 -◇0	(-\$10)
		230V	7.5 HP		
		460V	10 HP		
		600V	15 HP		
40 50	1+	200V	7.5 HP	RLS27 -◇0	(-\$20)
		230V	10 HP		
		460V	15 HP		
		600V	20 HP		
55A 62.5	1 3/4	200V	10 HP	RLS37 -◇0	(-\$50)
		230V	10 HP		
		460V	25 HP		
		600V	25 HP		
90A 110A	2+	200V	15 HP	RLS47 -◇0	(-\$50)
		230V	20 HP		
		460V	40 HP		
		600V	50 HP		
100A 150A	2 1/2	200V	20 HP	RLS57 -◇0	(-\$50)
		230V	25 HP		
		460V	50 HP		
		600V	60 HP		

Inductive Resistive	Size	Horse Power Ratings 3 Phase		OPEN	Deduction for Less Wiring L/W
		Motor Volts	Max. HP		
110A 150A	3	200V	25 HP	RLS77 -◇0	(-\$80)
		230V	30 HP		
		460V	60 HP		
		600V	75 HP		
110A 150A	3 1/2	200V	30 HP	RLS87 -◇0	(-\$80)
		230V	40 HP		
		460V	75 HP		
		600V	100 HP		
135A 180A	4	200V	40 HP	RLS107 -◇0	(-\$120)
		230V	50 HP		
		460V	100 HP		
		600V	100 HP		
200A 225A	4 1/2	200V	60 HP	RLS177 -◇0	(-\$120)
		230V	75 HP		
		460V	150 HP		
		600V	200 HP		
320A 350A	5	200V	75 HP	RLS247 -◇0	(-\$200)
		230V	100 HP		
		460V	200 HP		
		600V	250 HP		
500A 600A	5 1/2	200V	125 HP	RLS220K -◇0	(-\$200)
		230V	150 HP		
		460V	300 HP		
		600V	400 HP		
650A 700A	6	200V	150 HP	RLS280K -◇0	(-\$400)
		230V	200 HP		
		460V	400 HP		
		600V	500 HP		

◀ MINI UNIT SUPPLIED LESS WIRING

◇ COIL VOLTAGE SUFFIX				
AC ◇	60HZ		50HZ	DC ◇ •
-A	120V	110V	-MTW	12VDC
-C	208V/230V	220V	-NTW	24VDC
-E	480V	440V	-OTW	48VDC
-F	600V	550V	-PTW	120VDC
-D		380V	-RTW	220VDC
-G	24V	22V	•Price addition	
-H	277V/280V	240V	for DC Coil.	

•TW: Two Winding D.C. Coil. Add \$50 list.
for sizes RLS4 thru RLS77.
RLS07: Add \$20 list for single winding D.C. Coil.

Mechanical Interlock Kits

K-R4 for 4, 7, 17, 27, 37*	\$ 19
K-R47 for 47, 57, 77	\$118
K-R107 for 97, 107	\$148
K-R177 for 167, 177	\$192
K-R247 for 247	\$463
LK-LUV 375H	\$ 70

*K-R4DC for Single Winding DC Coils \$19 List

TYPICAL ORDER ITEM-

5 HP 20 A Contactor:

RLS4 - AO

Open
Coil 120 Volts



**REVERSING STARTER
RXLS7 - L/W
NEMA Size 0**

Reversing Single Phase Starters

CE

Size	NEMA Horse Power Ratings 1 Phase Motors		OPEN	NEMA 1 General Purpose	NEMA 4X Outdoor Dust Tight	NEMA 4 Metal	NEMA 7 Hazardous Area	NEMA 12 Dust Tight
	115V HP	230V HP						
MINI LIST	1	2	RSXLS07 -◇0-◇◇ \$141	RSXLS07 -◇1-◇◇ \$179	RSXLS07 -◇4X-◇◇ \$205	For Mini Starter Details See Pages AEG 11 - AEG 17		
00 LIST	3/4	2	RSXLS4 -◇0-◇◇ \$244	RSXLS4 -◇1-◇◇ \$278	RSXLS4 -◇4X-◇◇ \$365	RSXLS4 -◇4-◇◇ \$405	Contact Factory for Pricing	RSXLS4 -◇12-◇◇ \$335
0 LIST	1	2	RSXLS7 -◇0-◇◇ \$304	RSXLS7 -◇1-◇◇ \$338	RSXLS7 -◇4X-◇◇ \$425	RSXLS7 -◇4-◇◇ \$465		RSXLS7 -◇12-◇◇ \$395
0+ LIST	1 1/2	3	RSXLS17 -◇0-◇◇ \$334	RSXLS17 -◇1-◇◇ \$368	RSXLS17 -◇4X-◇◇ \$455	RSXLS17 -◇4-◇◇ \$495		RSXLS17 -◇12-◇◇ \$425
1+ LIST	2	5	RSXLS27 -◇0-◇◇ \$355	RSXLS27 -◇1-◇◇ \$389	RSXLS27 -◇4X-◇◇ \$476	RSXLS27 -◇4-◇◇ \$529	RSXLS27 -◇7-◇◇ -	RSXLS27 -◇12-◇◇ \$446
2 LIST	3	7 1/2	RSXLS37 -◇0-◇◇ \$503	RSXLS37 -◇1-◇◇ \$567	RSXLS37 -◇4X-◇◇ \$723	RSXLS37 -◇4-◇◇ \$983	RSXLS37 -◇7-◇◇ -	RSXLS37 -◇12-◇◇ \$723
2 1/2 LIST	5	10	RSXLS57 -◇0-◇◇ \$847	RSXLS57 -◇1-◇◇ \$911	RSXLS57 -◇4X-◇◇ \$1,107	RSXLS57 -◇4-◇◇ \$1,321	RSXLS57 -◇7-◇◇ -	RSXLS57 -◇12-◇◇ \$1,107

◇◇ OVERLOAD RELAY SUFFIX			
Suffix	O.L., Relay Setting Range (Amps)	Suffix	O.L., Relay Setting Range (Amps)
	-A		0.12-0.18
-B	0.18-0.28	-O	15-23
-C	0.28-0.4	-P	22-32
-D	0.4-0.6	-Q	32-50
-E	0.56-0.8	-RN	50-63
-F	0.8-1.2	-SN	63-80
-G	1.2-1.8	-TN	80-110
-H	1.8-2.8	-TT	110-135
-I	2.8-4	-UN	135-160
-K	4-6	-UU	150-180
-L	5.6-8	-VT	175-280
-M	8-12	-WT	250-400
		-X	315-500

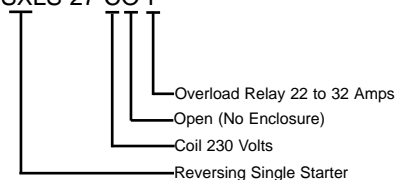
◇ COIL VOLTAGE SUFFIX		
AC ◇	60HZ	50HZ
-A	120V	110V
-C	208V/230V	220V
-E	480V	440V
-F	600V	550V
-D		380V
-G	24V	22V
-H	280V/277V	240V
DC ◇ •		
-MTW	12VDC	
-NTW	24VDC	•Price
-OTW	48VDC	Addition
-PTW	120VDC	for DC
-RTW	220VDC	Coil.

▷ TYPE 4X ENCLOSED STARTERS

Type 4X enclosed starters are UL/CSA Listed. Type 4X enclosures are designed for outdoor / hose down / dust tight applications and are non-metal corrosion resistant.

TYPICAL ORDER ITEM

5HP 230V Starter
RSXLS 27 CO-P



* To determine overload size see back inside cover for approx. currents.

-RSXL07 NOT available with DC coils.
Refer to page AEG 16 for mini RSXLS05.

TYPE RXLS AC REVERSING STARTERS

3 Phase Full Voltage

All Starters Supplied with BUILT-IN HEATERS Size 00-2^{1/2} NEMA RATED

	Horse Power (UL) Ratings 3 Phase Motor Volts Max HP		OPEN	ENCLOSED				Comparable NEMA HP	
				NEMA 1 General Purpose	NEMA 4X Outdoor Dust Tight	NEMA 4 Metal	NEMA7 Hazardous Area		NEMA12 Dust Tight
	200V 230V 460V	3HP 3HP 3HP	RXLS07 -◇0-◇◇ \$141 ◀	RXLS07 -◇1-◇◇ \$179 ◀	RXLS07 -◇4x-◇◇ \$205 ◀	RXLS07 -◇4-◇◇ \$301 ◀	Contact Factory for Pricing	RXLS07 -◇12-◇◇ \$206	
00	200V 230V 460V 600V LIST	3HP 3HP 5HP 7.5HP	RXLS4 -◇0-◇◇ \$244	RXLS4 -◇1-◇◇ \$278	RXLS4 -◇4x-◇◇ \$365	RXLS4 -◇4-◇◇ \$405		RXLS4 -◇12-◇◇ \$335	200V 1.5 HP 230V 1.5 HP 460V 2 HP 600V 2 HP NEMA Size 00
0	200V 230V 460V 600V LIST	5HP 5HP 10HP 10HP	RXLS7 -◇0-◇◇ \$304	RXLS7 -◇1-◇◇ \$338	RXLS7 -◇4x-◇◇ \$425	RXLS7 -◇4-◇◇ \$465	- - -	RXLS7 -◇12-◇◇ \$395	200V 3 HP 230V 3 HP 460V 5 HP 600V 5 HP NEMA Size 0
0+	200V 230V 460V 600V LIST	5HP 7.5HP 10HP 15HP	RXLS17 -◇0-◇◇ \$334	RXLS17 -◇1-◇◇ \$368	RXLS17 -◇4x-◇◇ \$455	RXLS17 -◇4-◇◇ \$495	- - -	RXLS17 -◇12-◇◇ \$425	
1+	200V 230V 460V 600V LIST	7.5HP 10HP 15HP 20HP	RXLS27 -◇0-◇◇ \$355	RXLS27 -◇1-◇◇ \$389	RXLS27 -◇4x-◇◇ \$476	RXLS27 -◇4-◇◇ \$529	RXLS27 -◇7-◇◇ -	RXLS27 -◇12-◇◇ \$446	200V 7.5 HP 230V 7.5 HP 460V 10 HP 600V 10 HP NEMA Size 1
1 ^{3/4}	200V 230V 460V 600V LIST	10HP 10HP 25HP 25HP	RXLS37 -◇0-◇◇ \$503	RXLS37 -◇1-◇◇ \$567	RXLS37 -◇4x-◇◇ \$723	RXLS37 -◇4-◇◇ \$983	RXLS37 -◇7-◇◇ -	RXLS37 -◇12-◇◇ \$723	
2+	200V 230V 460V 600V LIST	15HP 20HP 40HP 50HP	RXLS47 -◇0-◇◇ \$747	RXLS47 -◇1-◇◇ \$811	RXLS47 -◇4x-◇◇ \$967	RXLS47 -◇4-◇◇ \$1,227	RXLS47 -◇7-◇◇ -	RXLS47 -◇12-◇◇ \$967	200V 10 HP 230V 15 HP 460V 25 HP 600V 25 HP NEMA Size 2
2 ^{1/2}	200V 230V 460V 600V LIST	20HP 25HP 50HP 60HP	RXLS57 -◇0-◇◇ \$847	RXLS57 -◇1-◇◇ \$911	RXLS57 -◇4x-◇◇ \$1,107	RXLS57 -◇4-◇◇ \$1,321	RXLS57 -◇7-◇◇ -	RXLS57 -◇12-◇◇ \$1,107	

◀ Mini unit supplied less wiring.

Note: Above prices include power and control wiring. See page AEG 26 for pricing for omission of wiring price deduction.

Combination Fusible Disconnect and Breaker Type Reversing Starters are available stock to one week. Check with factory.

◇◇ OVERLOAD RELAY SUFFIX			
Suffix	O.L., Relay Setting Range (Amps)	Suffix	O.L., Relay Setting Range (Amps)
-A	0.12-0.18	-N	11-17
-B	0.18-0.28	-O	15-23
-C	0.28-0.4	-P	22-32
-D	0.4-0.6	-Q	32-50
-E	0.56-0.8	-RN	50-63
-F	0.8-1.2	-SN	63-80
-G	1.2-1.8	-TN	80-110
-H	1.8-2.8	-TT	110-135
-I	2.8-4	-UN	135-160
-K	4-6	-UU	150-180
-L	5.6-8	-VT	175-280
-M	8-12	-WT	250-400
		-X	315-500

◇◇ COIL VOLTAGE SUFFIX		
AC ◇	60HZ	50HZ
-A	120V	110V
-C	208V/230V	220V
-E	480V	440V
-F	600V	550V
-D		380V
-G	24V	22V
-H	280V/277V	240V
DC ◇ •		
-MTW	12VDC	
-NTW	24VDC	
-OTW	48VDC	
-PTW	120VDC	
-RTW	220VDC	

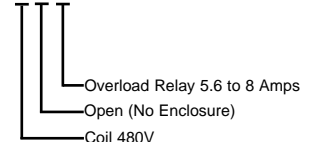
•TW: Two winding D.C. Coil.
Add \$50 list, for sizes LS4 thru LS77.
*RXLS07 starter NOT available in DC coils.
Refer to page AEG 16 for RXLS05 mini.

▷ TYPE 4X ENCLOSED STARTERS

Type 4X enclosed starters are UL/CSA Listed starters enclosed in type 4X U.L. Listed enclosures. Type 4X enclosures are designed for outdoor / hose down / dust tight applications and are non-metal corrosion resistant.

TYPICAL ORDER ITEM

5HP 460V Starter
RXLS4-EO-L



*To determine overload size see back inside cover for approx. currents.



TYPE RXLS AC REVERSING STARTERS

3 Phase Full Voltage

AEG

All Starters Supplied with BUILT-IN HEATERS **CE**

Size 3-6
NEMA RATED

	Horse Power (UL) Ratings 3 Phase Motor Max HP Volts	OPEN	ENCLOSED					Comparable NEMA HP
			NEMA 1 General Purpose	NEMA 4X Outdoor Dust Tight	NEMA 4 Metal	NEMA7 Hazardous Area Contact Factory for Pricing	NEMA12 Dust Tight	
3	200V 25HP 230V 30HP 460V 60HP 600V 75HP LIST	RXLS77 -◇0-◇◇ \$1,091	RXLS77 -◇1-◇◇ \$1,203	RXLS77 -◇4x-◇◇ \$1,351	RXLS77 -◇4-◇◇ \$2,043	RXLS77 -◇7-◇◇ -	RXLS77 -◇12-◇◇ \$1,351	200V 25 HP 230V 30 HP 460V 50 HP 600V 50 HP NEMA Size 3
3 ^{1/2}	200V 30HP 230V 40HP 460V 75HP 600V 100HP LIST	RXLS87 -◇0-◇◇ \$1,290	RXLS87 -◇1-◇◇ \$1,490	RXLS87 -◇4x-◇◇ \$1,790	RXLS87 -◇4-◇◇ \$2,116	RXLS87 -◇7-◇◇ -	RXLS87 -◇12-◇◇ \$1,690	
4	200V 40HP 230V 50HP 460V 100HP 600V 100HP LIST	RXLS107 -◇0-◇◇ \$2,278	RXLS107 -◇1-◇◇ \$2,478	RXLS107 -◇4x-◇◇ \$2,778	RXLS107 -◇4-◇◇ \$3,884	RXLS107 -◇7-◇◇ -	RXLS107 -◇12-◇◇ \$2,678	200V 40 HP 230V 50 HP 460V 100 HP 600V 100 HP NEMA Size 4
4 ^{1/2}	200V 60HP 230V 75HP 460V 150HP 600V 200HP LIST	RXLS177 -◇0-◇◇ \$2,910	RXLS177 -◇1-◇◇ \$3,210	RXLS177 -◇4x-◇◇ \$3,560	RXLS177 -◇4-◇◇ \$4,513	RXLS177 -◇7-◇◇ -	RXLS177 -◇12-◇◇ \$3,560	
5	200V 75HP 230V 100HP 460V 200HP 600V 250HP LIST	RXLS247 -◇0-◇◇ \$3,876	RXLS247 -◇1-◇◇ \$4,676	RXLS247 -◇4x-◇◇ \$5,174	RXLS247 -◇4-◇◇ \$7,495	RXLS247 -◇7-◇◇ -	RXLS247 -◇12-◇◇ \$5,174	200V 75 HP 230V 100 HP 460V 200 HP 600V 200 HP NEMA Size 5
5 ^{1/2}	200V 125HP 230V 150HP 460V 300HP 600V LIST	RXLS220K -◇0-◇◇ \$5,140	RXLS220K -◇1-◇◇ \$7,140	RXLS220K -◇4x-◇◇ \$7,870	RXLS220K -◇4-◇◇ \$8,694	RXLS220K -◇7-◇◇ -	RXLS220K -◇12-◇◇ \$7,870	
6	200V 150HP 230V 200HP 460V 400HP 600V 500HP LIST	RXLS280K -◇0-◇◇ \$7,600	RXLS280K -◇1-◇◇ \$8,600	RXLS280K -◇4x-◇◇ \$10,200	RXLS280K -◇4-◇◇ \$11,110	RXLS280K -◇7-◇◇ -	RXLS280K -◇12-◇◇ \$10,250	

STARTERS

◇◇ OVERLOAD RELAY SUFFIX			
Suffix	O.L., Relay Setting Range (Amps)	Suffix	O.L., Relay Setting Range (Amps)
-A	0.12-0.18	-N	11-17
-B	0.18-0.28	-O	15-23
-C	0.28-0.4	-P	22-32
-D	0.4-0.6	-Q	32-50
-E	0.56-0.8	-RN	50-63
-F	0.8-1.2	-SN	63-80
-G	1.2-1.8	-TN	80-110
-H	1.8-2.8	-TT	110-135
-I	2.8-4	-UN	135-160
-K	4-6	-UU	150-180
-L	5.6-8	-VT	175-280
-M	8-12	-WT	250-400
		-X	315-500

◇ COIL VOLTAGE SUFFIX		
AC ◇	60HZ	50HZ
-A	120V	110V
-C	208V/230V	220V
-E	480V	440V
-F	600V	550V
-D		380V
-G	24V	22V
-H	280V/277V	240V
DC ◇ •		
-MTW	12VDC	
-NTW	24VDC	
-OTW	48VDC	
-PTW	120VDC	
-RTW	220VDC	

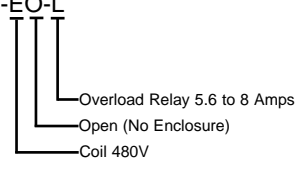
•Price Addition for DC Coil.

•TW: Two winding D.C. Coil.
Add \$50 list, for sizes LS4 thru LS77.
See page AEG 33 for D.C. Coils on high current contactors.

▷ TYPE 4X ENCLOSED STARTERS

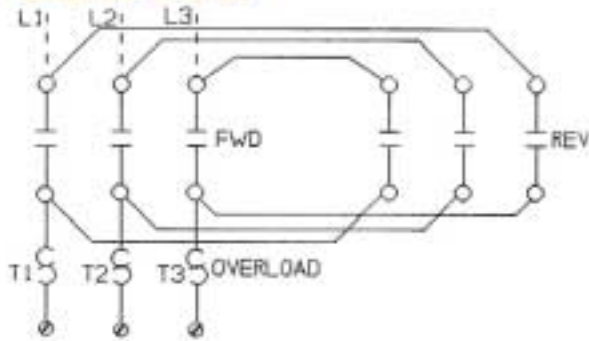
Type 4X enclosed starters are UL/CSA Listed starters enclosed in type 4X U.L. Listed enclosures. Type 4X enclosures are designed for outdoor / hose down / dust tight applications and are non-metal corrosion resistant.

TYPICAL ORDER ITEM
5HP 460V Starter
RXLS4-EO-L

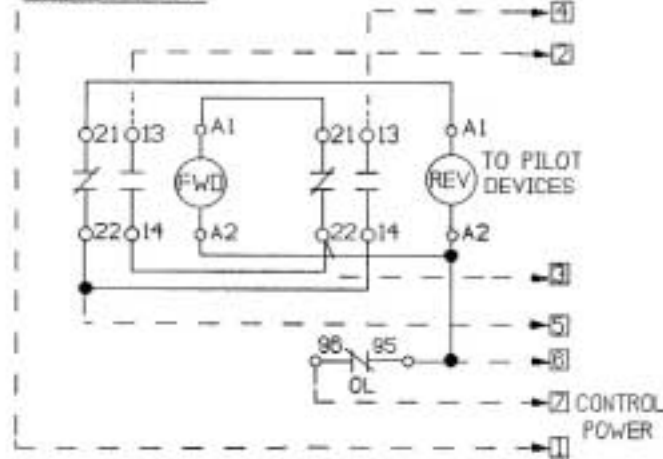


*To determine overload size see back inside cover for approx. currents.

REVERSING STARTER



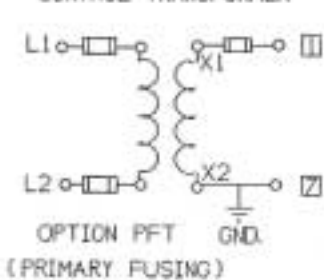
CONTROL WIRING



- (A) FOR LINE VOLTAGE CONTROL, CONNECT 1 TO L1, 7 TO L2.
- (B) FOR SEPARATE CONTROL, CONNECT 1 AND 7 TO CONTROL VOLTAGE.
- (C) FOR CONTROL TRANSFORMER, CONNECT AS FOR OPTION (FT).

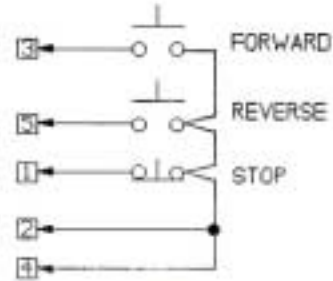
ELEMENTARY DIAGRAM

TERMINAL BLOCK OPTION FT
CONTROL TRANSFORMER



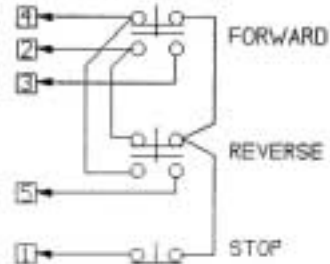
(STANDARD CONNECTION)

DEPRESS "STOP" BETWEEN FORWARD AND REVERSE SWITCHING



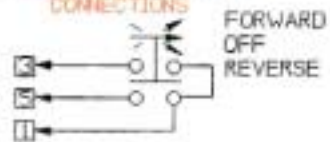
(OPTIONAL CONNECTION)

SWITCHING "FORWARD" AND "REVERSE" WITHOUT USING "STOP"

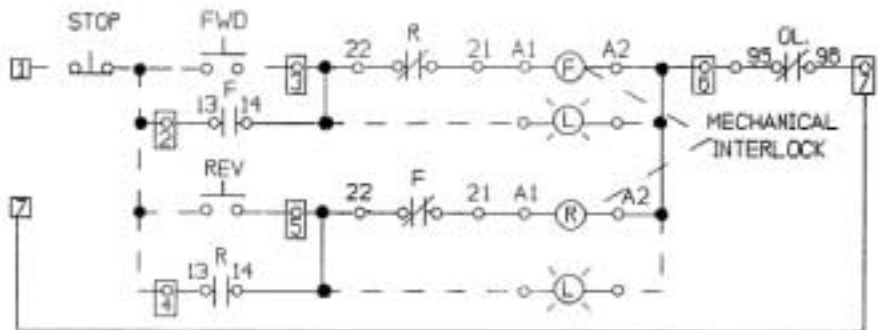
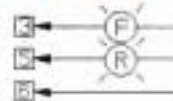


(SELECTOR SWITCH)

CONNECTIONS



(PILOT LIGHT CONNECTIONS)



DIMENSIONS (Approx. Inches) 3 Ø and 1 Ø Full Voltage

REVERSING CONTACTOR

REV. CONTACTOR	OPEN												ENCLOSED					
	Overall Dimensions			Mounting Dimensions									NEMA 1			Outdoor NEMA Type 4X		
	H*	W	D	**Mtg. Holes	D	D1	D2	D3	E	E1	K	J	H	W	D ▶	H	W	D ▶
RLS07	1.54	3.54	1.69	(4)									8.75	4.7	5.4	7.3	7.3	5.0
RLS4,7,17	3.1	3.9	3.9	(4)	3.3	.3	1.38		2.3	.3			11	8	6 ^{3/8}	11.3	9.25	7.0
RLS27	3.3	3.9	4.3	(4)	3.3	.3	1.38		2.3	.2			11	8	6 ^{3/8}	11.3	9.25	7.0
RLS37	3.4	4.3	4.7	(4)	3.7	.3	1.38		2.9	.2			16	12	7	11.3	9.25	7.0
RLS47,57,77,87	6.3	8.2	5.5	(4)	5.9	1.1			5.9	.2			16	12	7	15.3	13.3	8.0
RLS107	7.5	10.5	6.5	(4)	8.9	.8			6.9	.3			20	16	7	19.3	17.3	9.6
RLS177	8.7	11.7	7.5	(4)	9.8	.8			6.9	.3			24	20	9	24.2	16.3	9.0
RLS247	10.25	12.3	8.25	(4)	10.8	.76			9.25	.5			30	24	12	32.9	25.0	11.8
RLS220K	8.67	16.5	8.98										30	24	12	32.9	25.0	11.8

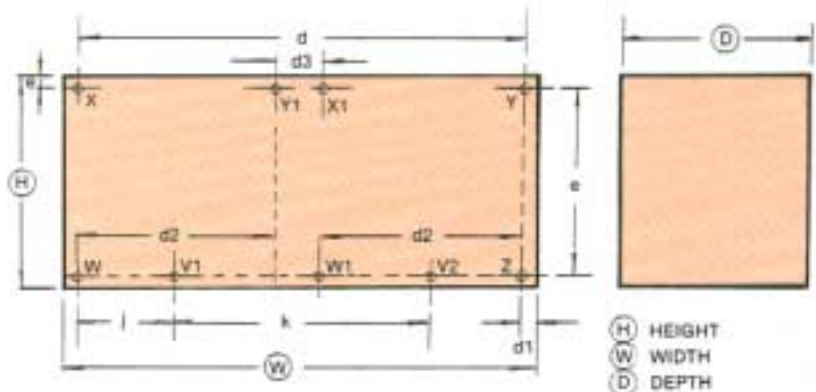
REVERSING STARTER & TWO SPEED (Two Winding) STARTER

REV. STARTER	OPEN												ENCLOSED					
	Overall Dimensions			Mounting Dimensions									NEMA 1			Outdoor NEMA Type 4X		
	H*	W	D	**Mtg. Holes	D	D1	D2	D3	E	E1	K	J	H	W	D ▶	H	W	D ▶
RXLS07				(3)			1.56		1.3				8.75	4.7	5.4	9.5	7.5	5.0
RXLS4,7,17S	4.9	3.9	3.9	(4+)	3.3	.3	1.38		2.3	.3			11	8	6 ^{3/8}	11.3	9.25	7.0
RXLS27	5	3.9	4.9	(4+)	3.3	.3	1.38		2.3	.2			11	8	6 ^{3/8}	11.3	9.25	7.0
RXLS37	5.2	4.3	4.7	(4+)	3.7	.3	1.38		2.9	.2			16	12	7	11.3	9.25	7.0
RXLS47,57	9	8.2	5.5	(4)	5.9	1.1			5.9	.2			16	12	7	15.3	13.3	8.25
RXLS77,87	9.5	8.2	5.5	(4)	5.9	1.1			5.9	.2			16	12	7	15.3	13.3	8.25
RXLS107	10.1	10.5	6.5	(4)	8.9	.8			6.9	.3			24	20	9	24.2	16.3	9.0
RXLS177	13.1	11.7	7.5	(4)	9.8	.8			8.1	.3			24	20	9	24.2	16.3	9.0
RXLS247		Check Factory		(4)	10.8	.76			9.25	.5			30	24	12	32.8	25.0	11.8
RXLS220K		Check Factory																

*Units 77 thru 247 are dimensions of contactor bus for compression terminals. For solderless box lug terminals add approx. 2" to H dimension.

** For Bolting Contactor to Panel ▶ Depth, less pushbuttons.

- Mounting Holes
 (3) X, Y1, W
 (4+) W, W1, Y, Y1
 (4) W, X, Y, Z
 (6) X, Y1, V1, X1, Y, Y2



TWO SPEED STARTERS

TWO SPEED - TWO WINDING

CONSTANT HORSEPOWER

List prices include 6 heaters

HORSEPOWER RATING (MAX HP RATING)				3-PHASE STARTERS (2-SPEED)				NEMA			EEC	
200/ 208V HP	220/ 240V HP	440/ 480V HP	550/ 600V HP	(includes 3-pole O.L.) Catalog No.	LIST PRICES-ENCLOSURE -O- OPEN	-MI- NEMA1	-4X- NEMA4X	SUFFIX- -M12- NEMA12	200V HP	230V HP	460/ 575V HP	Size
3	3	7 ^{1/2}	7 ^{1/2}	2SHLS17-◇-◇◇	\$ 428	\$ 478	\$ 549	\$ 549	2	2	3	0+
5	5	10	15	2SHLS27-◇-◇◇	563	613	684	684	5	5	7 ^{1/2}	1+
5	7 ^{1/2}	15	15	2SHLS37-◇-◇◇	687	757	907	907				1 ^{1/2}
10	10	30	30	2SHLS47-◇-◇◇	1,007	1,007	1,227	1,227	7 ^{1/2}	10	20	2 ^{1/2} +
20	20	40	50	2SHLS57-◇-◇◇	1,122	1,192	1,382	1,382				
25	25	50	50	2SHLS77-◇-◇◇	1,361	1,491	1,621	1,621	20	25	40	3
30	30	60	75	2SHLS87-◇-◇◇	1,961	2,091	2,221	2,221				3 ^{1/2}
40	40	75	100	2SHLS107-◇-◇◇	3,018	3,218	3,518	3,518	30	40	75	4
50	60	100	150	2SHLS177-◇-◇◇	4,410	4,710	5,060	5,060				4 ^{1/2}
60	75	150	200	2SHLS247-◇-◇◇	5,800	6,600	7,800	7,800	60	75	150	5
75	100	200	300	2SHLS220K-◇-◇◇	7,120	9,120	9,120	9,120				5 ^{1/2} +
150	200	400		2SHLS280K-◇-◇◇	10,320	12,320	12,320	12,320	100	150	300	6+

TWO SPEED - TWO WINDING

CONSTANT OR VARIABLE TORQUE

5	7.5	10	10	2STLS17-◇-◇◇	\$ 428	\$ 478	\$ 549	\$ 549	3	3	5	0+
7 ^{1/2}	10	15	20	2STLS27-◇-◇◇	563	613	684	684	7 ^{1/2}	7 ^{1/2}	10	1+
10	10	20	25	2STLS37-◇-◇◇	687	757	907	907				1 ^{1/2}
15	20	40	50	2STLS47-◇-◇◇	1,007	1,007	1,227	1,227	10	15	25	2+
25	25	50	60	2STLS57-◇-◇◇	1,122	1,192	1,382	1,382				2 ^{1/2} +
30	30	60	75	2STLS77-◇-◇◇	1,361	1,491	1,621	1,621	25	30	50	3
30	40	75	100	2STLS87-◇-◇◇	1,961	2,091	2,221	2,221				3 ^{1/2}
40	50	100	100	2STLS107-◇-◇◇	3,018	3,218	3,518	3,518	40	50	100	4
60	75	150	190	2STLS177-◇-◇◇	4,410	4,710	5,060	5,060				4 ^{1/2}
75	100	200	250	2STLS247-◇-◇◇	5,800	6,600	7,800	7,800	75	100	200	5
125	150	350	400	2STLS220K-◇-◇◇	7,120	9,120	9,120	9,120				5 ^{1/2} +
	250	500	585	2STLS280K-◇-◇◇	10,320	12,320	12,320	12,320	150	200	400	6+

TWO SPEED - ONE WINDING

CONSTANT HORSEPOWER

3	3	7 ^{1/2}	7 ^{1/2}	1SHLS17-◇-◇◇	\$ 623	\$ 673	\$ 743	\$ 743	2	2	3	0+
5	5	10	15	1SHLS27-◇-◇◇	781	831	901	901	5	5	7 ^{1/2}	1+
5	7 ^{1/2}	15	15	1SHLS37-◇-◇◇	947	1,017	1,187	1,187				1 ^{1/2}
10	15	30	30	1SHLS47-◇-◇◇	1,364	1,484	1,604	1,604	7 ^{1/2}	10	20	2+
20	20	40	50	1SHLS57-◇-◇◇	1,550	1,670	1,850	1,850				2 ^{1/2} +
25	25	50	50	1SHLS77-◇-◇◇	1,930	2,050	2,230	2,230	20	25	40	3
30	30	60	75	1SHLS87-◇-	2,950	3,070	3,250	3,250				3 ^{1/2}
40	40	75	100	1SHLS107-◇-	4,290	4,590	4,790	4,790	30	40	75	4
50	60	100	150	1SHLS177-◇-	6,550	6,950	7,300	7,300				4 ^{1/2}
60	75	150	200	1SHLS247-◇-	7,990	8,790	9,990	9,990	60	75	150	5
75	100	200	300	1SHLS220K-◇-	10,290	12,290	13,030	13,030				5 ^{1/2} +
150	200	400		1SHLS280K-◇-	16,130	18,130	18,130	18,130	100	150	300	6+

TWO SPEED - ONE WINDING

CONSTANT OR VARIABLE TORQUE

5	7.5	10	10	1STLS17-◇-◇◇	\$ 623	\$ 673	\$ 743	\$ 743	3	3	5	0+
7 ^{1/2}	10	15	20	1STLS27-◇-◇◇	781	831	901	901	7 ^{1/2}	7 ^{1/2}	10	1+
10	10	20	25	1STLS37-◇-	947	1,017	1,187	1,187				1 ^{1/2}
15	20	40	50	1STLS47-◇-	1,364	1,484	1,604	1,604	10	15	25	2+
25	25	50	60	1STLS57-◇	1,550	1,670	1,850	1,850				2 ^{1/2} +
30	30	60	75	1STLS77-◇	1,930	2,050	2,230	2,230	25	30	50	3
30	40	75	100	1STLS87-◇	2,950	3,070	3,250	3,250				3 ^{1/2}
40	50	100	100	1STLS107-◇	4,290	4,590	4,790	4,790	40	50	100	4
60	75	150	190	1STLS177-◇	6,550	6,950	7,300	7,300				4 ^{1/2}
75	100	200	250	1STLS247-◇	7,990	8,790	9,990	9,990	75	100	200	5
125	150	350	400	1STLS220K-◇	10,290	12,290	13,030	13,030				5 ^{1/2} +
	250	500	585	1STLS280K-◇	16,130	18,130	18,130	18,130	150	200	400	6+

*Coil Suffix ◇◇Overload Suffix For Modifications see page AEG 33. For 3 or 4 speed starters check with factory.
Order Example: 2SHLS17S-A-L, N+M1 (size 0, 7^{1/2}HP Two Speed Constant HP, NEMA1 Enclosed)

*To determine overload size see back inside cover for approximate currents.

2 speed starters require high speed & low speed currents suffixes in part number.

Factory Installed Suffixes & Lists

	Additions or Special Features	Enclosure Type	Catalog Suffix Number	SIZE										
				00 LS 4	0 7 17	1, 1 ^{1/2} 27 37	2, 2 ^{1/2} 47 57	3, 3 ^{1/2} 77 87	4, 4 ^{1/2} 107 177	5, 5 ^{1/2} 247 220K	6, 6 ^{1/2} 280K 375K	7 450		
PILOT DEVICES IN COVER	"Start-Stop" push button..... 1		SS	\$35	\$35	\$35	\$35	\$35	\$35	\$35	\$35	\$35	\$35	\$35
	"Start-Stop" push button..... 4,12, 3R		SS-3	90	90	90	90	90	90	90	90	90	90	90
	"Start-Stop" push button..... 7, 9		SS-7	160	160	160	160	160	160	160	160	160	160	160
	Extra Pushbutton..... 1		-	70	70	70	70	70	70	70	70	70	70	70
	"Up-Down-Stop" push button..... 1, 4, 12		UDS	160	160	160	160	160	160	160	160	160	160	160
FULL VOLTAGE CONTROLS	"Forward-Reverse-Stop" push button..... 1, 4, 12		FRS	160	160	160	160	160	160	160	160	160	160	160
	"Fast-Slow-Stop" push button..... 1, 4, 12		FSS	160	160	160	160	160	160	160	160	160	160	160
	"Start-Stop" push button and "Hand-Off-Auto" selector switch..... Any		SS-HOA	-	180	180	180	180	180	180	180	180	180	180
	"Hand-Off-Auto" selector switch..... 1		HOA	35	35	35	35	35	35	35	35	35	35	35
	"Hand-Off-Auto" selector switch..... 4, 12, 3R		HOA	90	90	90	90	90	90	90	90	90	90	90
	"Hand-Off-Auto" selector switch..... 7, 9				160	160	160	160	160	160	160	160	160	160
	"Forward-Off-Reverse" selector switch..... 3R, 4X, 12		FOR	90	90	90	90	90	90	90	90	90	90	90
	"High-Off-Low" selector switch..... 3R, 4X, 12		HOL	90	90	90	90	90	90	90	90	90	90	90
	Pilot Light..... 1, 4, 12		PL	60	60	60	60	60	60	60	60	60	60	60
	"On-Off" selector switch..... 1		-	35	35	35	35	35	35	35	35	35	35	35
Pilot Light..... 7		PL	140	140	140	140	140	140	140	140	140	140	140	
FULL VOLTAGE CONTROLS CONTROL CIRCUIT	Control circuit transformer													
	Standard capacity:													
	With fused secondary 60 Hz. or 50 Hz..... 1, 4, 12		FT ___ V	135	135	135	280	280	340	380	N.C.	Std.		
	With unfused secondary 60 Hz. or 50..... 7		T ___ V	135	135	135	280	280	340	380	-	-		
	With unfused secondary 60 Hz. or 50 Hz..... 9		T ___ V	135	135	135	280	280	340	380	-	-		
	Extra capacity with fused secondary:													
	100 watt extra 60 Hz. or 50 Hz..... 1, 4, 12		FT 100	250	250	250	320	400	460	460	460	460	460	460
	200 watt extra 60 Hz. or 50 Hz..... 1, 4, 12		FT 250	-	340	340	340	420	550	550	550	550	550	550
	Fused Primary..... 1, 4, 12		FPT	88	88	88	88	88	88	88	88	88	88	88
	Primary Voltage on Transformer		FT * 100	-	-	-	-	-	-	-	-	-	-	-
		FT * 250	-	-	-	-	-	-	-	-	-	-	-	
EXTRA AUXILIARIES..... Per Pole		-	18	18	18	18	18	18	18	18	18	18	18	
(# of Aux. Possible)..... -		-	4	4	4	4	8	8	8	8	8	8	8	
(# of Aux. Standard)..... NO		- NO	1	1	2	2	2	2	2	2	2	2	-	
		- NC	-	-	2	2	2	2	2	2	2	2	-	
RELAY TIMERS	Control relay (limited to one relay having maximum of 7 poles)-specify poles..... 1, 12		AR	-	204	204	204	204	320	360	360	360	360	
	arrangement, voltage and type required..... 4, 9		AR	-	312	312	312	312	424	472	472	472	472	
	Timing relay (limit of one-specify "On" or "Off" delay)..... 1, 12, 4		TR - 7	-	336	336	336	336	336	336	336	336	336	
			TR - 24	-	336	336	336	336	336	336	336	336	336	
	Phase Reverse Relay		FR	-	330	330	330	330	300	300	300	300	300	
METERS AND METERING	Ammeter in cover (includes current transformer if necessary on Size 2 and up)-specify poles..... 1, 12		AM	-	204	204	204	204	320	360	360	360	360	
	Ammeter and switch..... 1, 12		AMSW	-	312	312	312	312	424	472	472	472	472	
	Elapsed time meter..... 1, 12		EM	-	336	336	336	336	336	336	336	336	336	
	Voltmeter..... 1, 12		VM	-	440	440	440	440	440	440	440	440	440	
	Voltmeter and switch..... 1, 12		VM SW	-	330	330	330	330	300	300	300	300	300	
DC COILS	DC Power Plants (wired)..... -			25	25	25	25	25 ₅₀	50	130	130	-	-	
	with two winding coils													

For one winding, low burden DC coils see page AEG 52.

* Applies for ALL AEG pages.
Above are factory installed suffixes.